

THE KEY TO SALON SUCCESS



Lexor®



 PRESTIGE

LIBERTÉ

Luminous

 INFINITY

User
Manual

FOR CUSTOMER SUPPORT: 800.559.3630 // support@lexor.com // Lexor.com



Lexor®

THE KEY TO SALON SUCCESS

PEDICURE SPA USER MANUAL

RECEIVING AND INSPECTION: If missing parts or damages are found, please notify the carrier at once and insist on a notation of the damage on the bill of lading. DO NOT DISCARD THE SHIPPING BOX. If you give the carrier a clear receipt for goods that have been damaged in transit, you do so at your own risk and expense.

Table of Contents

IDENTIFYING PARTS FOR ELITE ® MODEL	2
IDENTIFYING PARTS FOR PRESTIGE ® MODEL	3
IDENTIFYING PARTS FOR LIBERTE ® MODEL	4
IDENTIFYING PARTS FOR LUMINOUS ® MODEL	5
IDENTIFYING PARTS FOR INFINITY ® MODEL	6
WALL CLEARANCE & SPA TO SPA RECOMMENDED CLEARANCE	7
INSTALLATION OF PEDICURE SPA SEAT	7
INSTALLATION OF PEDICURE SPA CUSHION	8
INSTALLATION OF PLUMBING SYSTEM	10
INSTALLATION OF VENTILATION SYSTEM (OPTIONAL)	13
ELECTRICAL AND PEDICURE SPA COMPONENT SPECIFICATIONS	14
PRE-OPERATIONAL SETUP	15
REMOVING THE DRAIN KNOB & THE AUTO-FILL/JET KNOB	17
FAUCET ASSEMBLY INSTRUCTION	18
REMOVING THE FOOTREST	19
OPERATE AUTO-FILL / JET SWITCH	20
OPERATE DIGITAL CONTROL PANEL	21
RESET WATER SENSOR AND WATER LEVEL	22
MASSAGE SYSTEM & REMOTE CONTROLLER	23

WARNING:



1. This product is for indoor use only & is not recommended for use on carpet or wood floor.
2. This product must be connected to a circuit outlet protected by a class A GFCI.
3. DO NOT USE if you have poor circulation, or if any area of your feet or legs has an open sore.
4. Maximum temperature of the water should never exceed 100 degrees F.
5. DO NOT STEP or STAND IN THE FOOT BASIN.
6. DO NOT operate any electrical devices near the pedicure spa.
7. Maximum load in the spa chair is 250lbs (114kg).

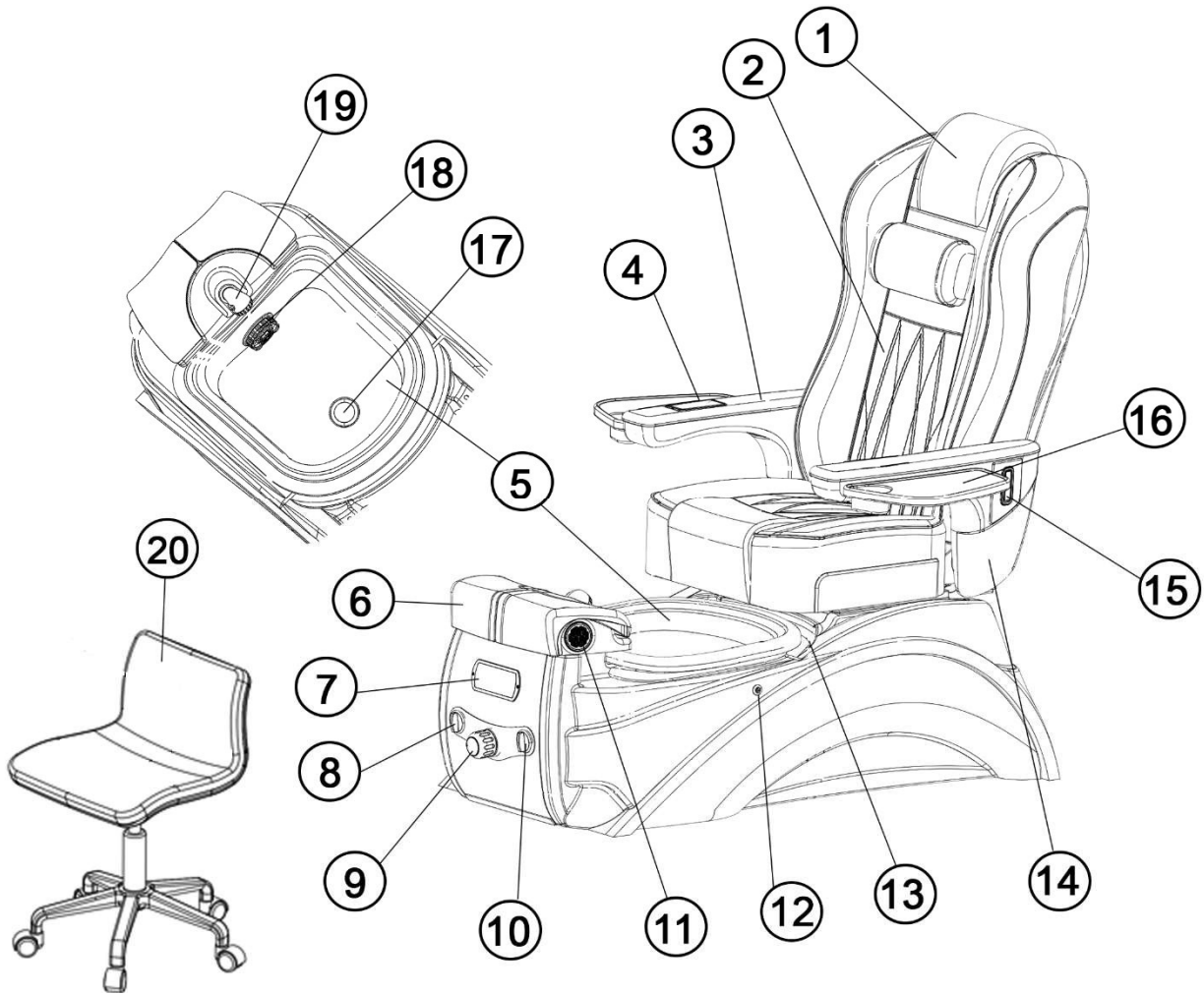
PROPER INSTALLATION ACCORDING TO THIS MANUAL IS REQUIRED. FAILURE TO DO SO MAY RESULT IN SERIOUS INJURY AND/OR WARRANTY WILL BE NULL. YOU MUST HAVE A LICENSED PLUMBER TO CONNECT THE SPA AND WATER SYSTEM IN PLACE SAFELY.

STATES' NOTICE

In the commonwealth of most states, all pedicure spas installed for commercial usage are required to have a backflow preventer at the salon's cost. This device shall be installed between the water inlet hose and the spout

PLEASE SAVE THESE INSTRUCTIONS FOR FUTURE REFERENCE

IDENTIFYING PARTS FOR ELITE® MODEL

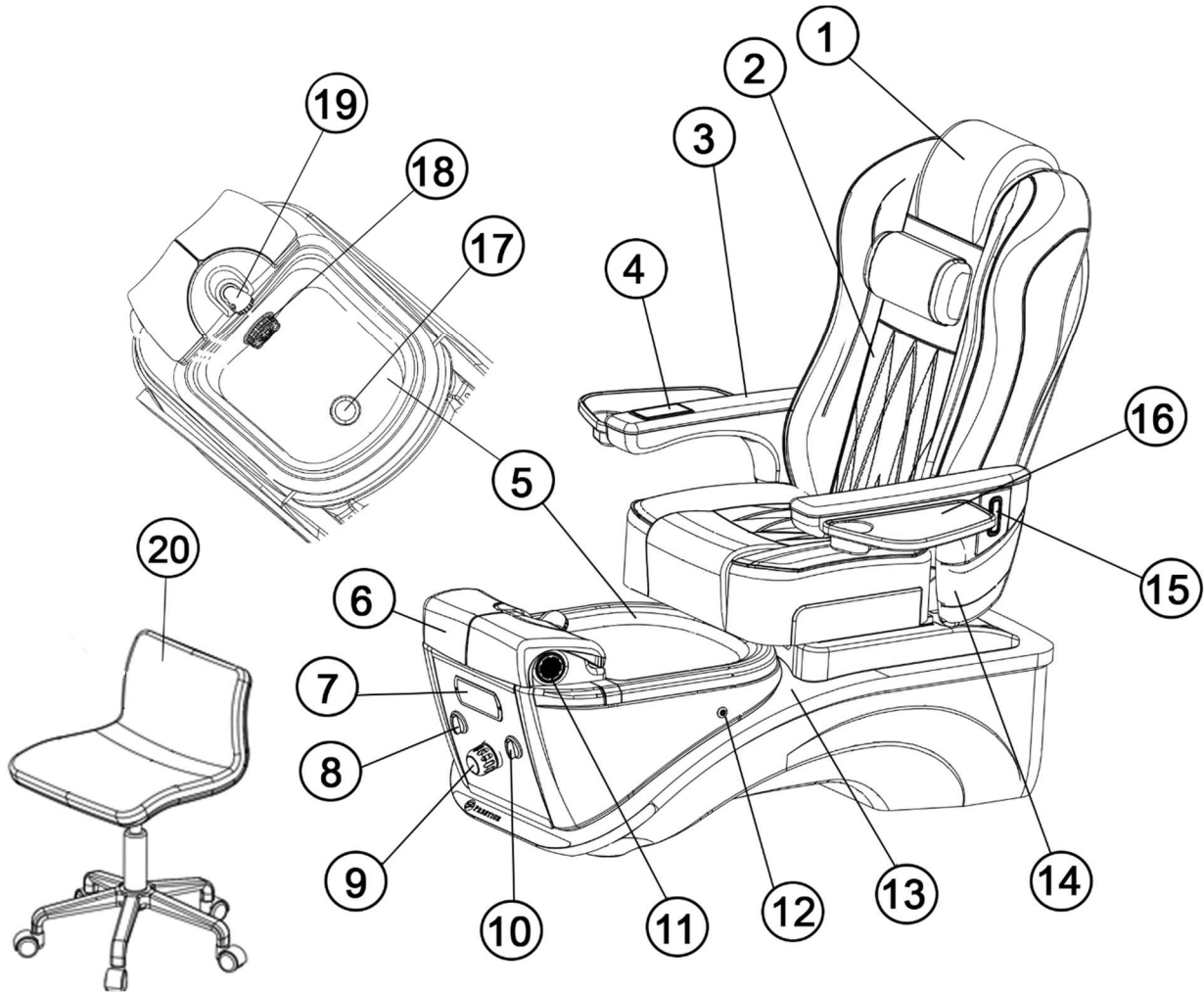


Pedicure Spa with Massage System

- | | |
|-------------------------------|--------------------------------|
| 1. Headrest | 11. Ventilation Inlet |
| 2. Back Cushion with Massage | 12. Air-Jet Connector |
| 3. Armrest Cushion | 13. Liner Hook |
| 4. Massage Remote Control | 14. Up/Down Armrest |
| 5. Aurora Bowl | 15. Handbag (Purse) Hook |
| 6. Footrest with Calf Support | 16. Manicure Tray |
| 7. Digital control System | 17. Air ring therma Jet |
| 8. Drain Knob | 18. ECOJET™ Magnetic Drive |
| 9. Hot/Cold Water Mixer Valve | 19. Hand Spray Spout |
| 10. Auto-fill/Jet Knob | 20. Low Profile Pedicure Stool |

Spa Chair Dimensions & Weight:
 Spa (Seat up-right): L=58" (147 cm), W=31" (79 cm) W/Tray 48" (121 cm), H=55" (140 cm)
 Spa (fully reclined): L=78" (198 cm)
 Net Weight: 195 lbs | Shipping Weight: 260 lbs. | Max. Handling Load: 250 lbs.

IDENTIFYING PARTS FOR PRESTIGE® MODEL

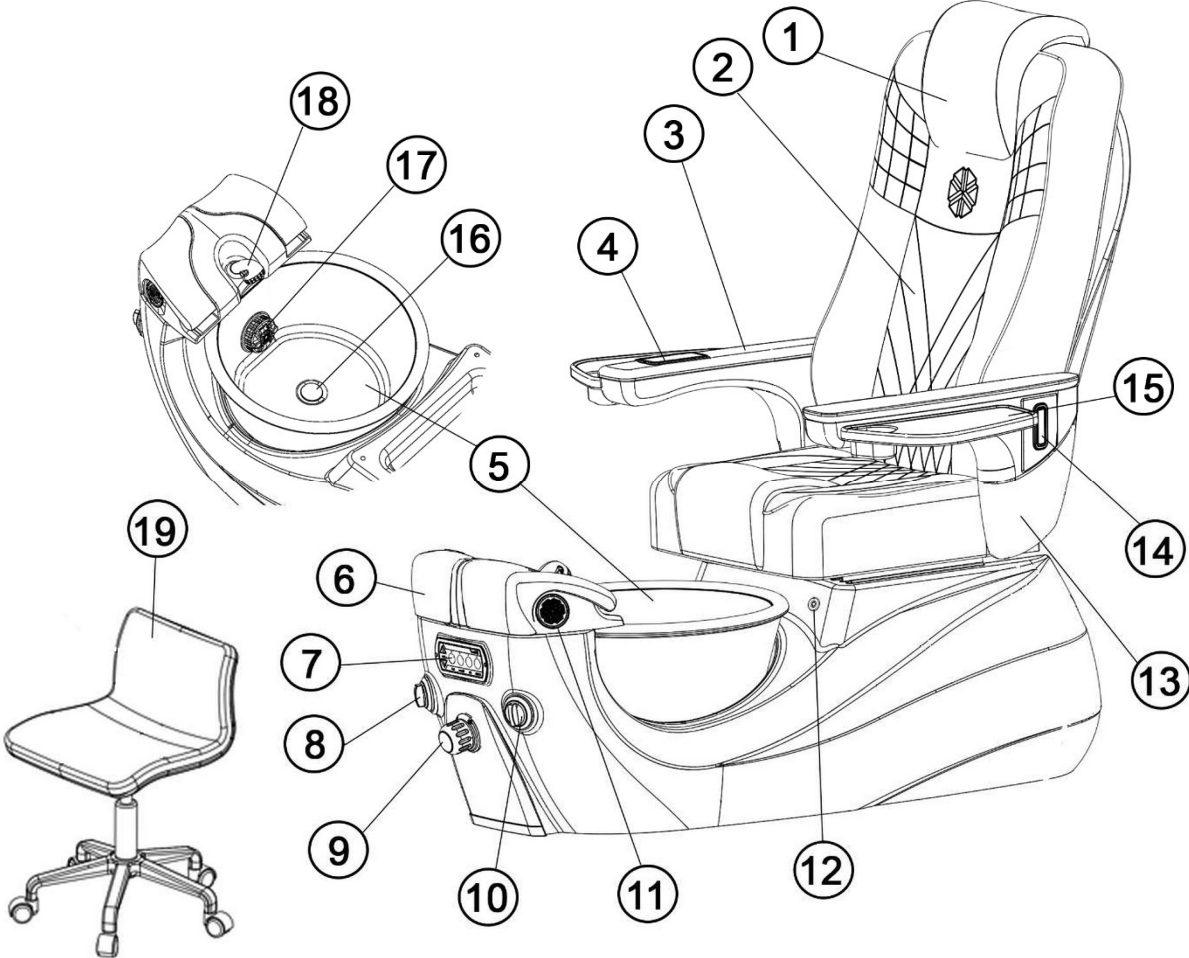


Pedicure Spa with Massage System

- | | |
|-------------------------------|--------------------------------|
| 1. Headrest | 11. Ventilation Inlet |
| 2. Back Cushion with Massage | 12. Air-Jet Connector |
| 3. Armrest Cushion | 13. Liner Hook |
| 4. Massage Remote Control | 14. Up/Down Armrest |
| 5. Aurora Bowl | 15. Handbag (Purse) Hook |
| 6. Footrest with Calf Support | 16. Manicure Tray |
| 7. Digital control System | 17. Air ring therma Jet |
| 8. Drain Knob | 18. ECOJET™ Magnetic Drive |
| 9. Hot/Cold Water Mixer Valve | 19. Hand Spray Spout |
| 10. Auto-fill/Jet Knob | 20. Low Profile Pedicure Stool |

Spa Chair Dimensions & Weight:
 Spa (Seat up-right): L=58" (147 cm), W=31" (79 cm) W/Tray 48" (121 cm), H=56" (142 cm)
 Spa (fully reclined): L=74" (187 cm)
 Net Weight: 220 lbs | Shipping Weight: 260 lbs. | Max. Handling Load: 250 lbs.

IDENTIFYING PARTS FOR LIBERTE® MODEL

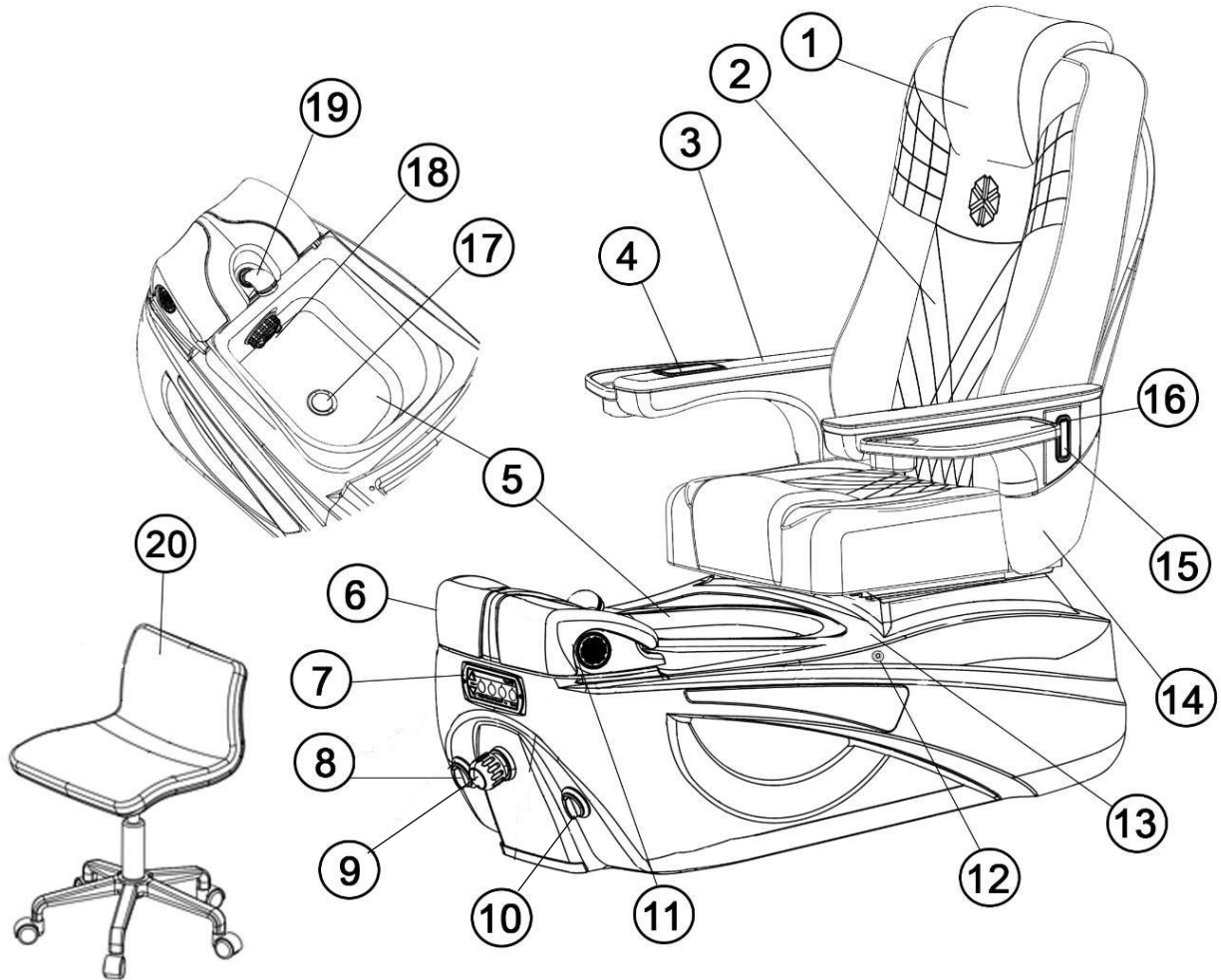


Pedicure Spa with Massage System

- | | |
|-------------------------------|--------------------------------|
| 1. Headrest | 11. Ventilation Inlet |
| 2. Back Cushion with Massage | 12. Air-Jet Connector |
| 3. Armrest Cushion | 13. Up/Down Armrest |
| 4. Massage Remote Control | 14. Handbag (Purse) Hook |
| 5. Aurora Bowl | 15. Manicure Tray |
| 6. Footrest with Calf Support | 16. Air ring therma Jet |
| 7. Digital control System | 17. ECOJET™ Magnetic Drive |
| 8. Drain Knob | 18. Hand Spray Spout |
| 9. Hot/Cold Water Mixer Valve | 19. Low Profile Pedicure Stool |
| 10. Auto-fill/Jet Knob | |

Spa Chair Dimensions & Weight:
 Spa (Seat up-right): L=53" (134 cm), W=31" (79 cm) W/Tray 48" (121 cm), H=56" (142 cm)
 Spa (fully reclined): L=68" (172 cm)
 Net Weight: 220 lbs | Shipping Weight: 230 lbs. | Max. Handling Load: 220 lbs.

IDENTIFYING PARTS FOR LUMINOUS® MODEL

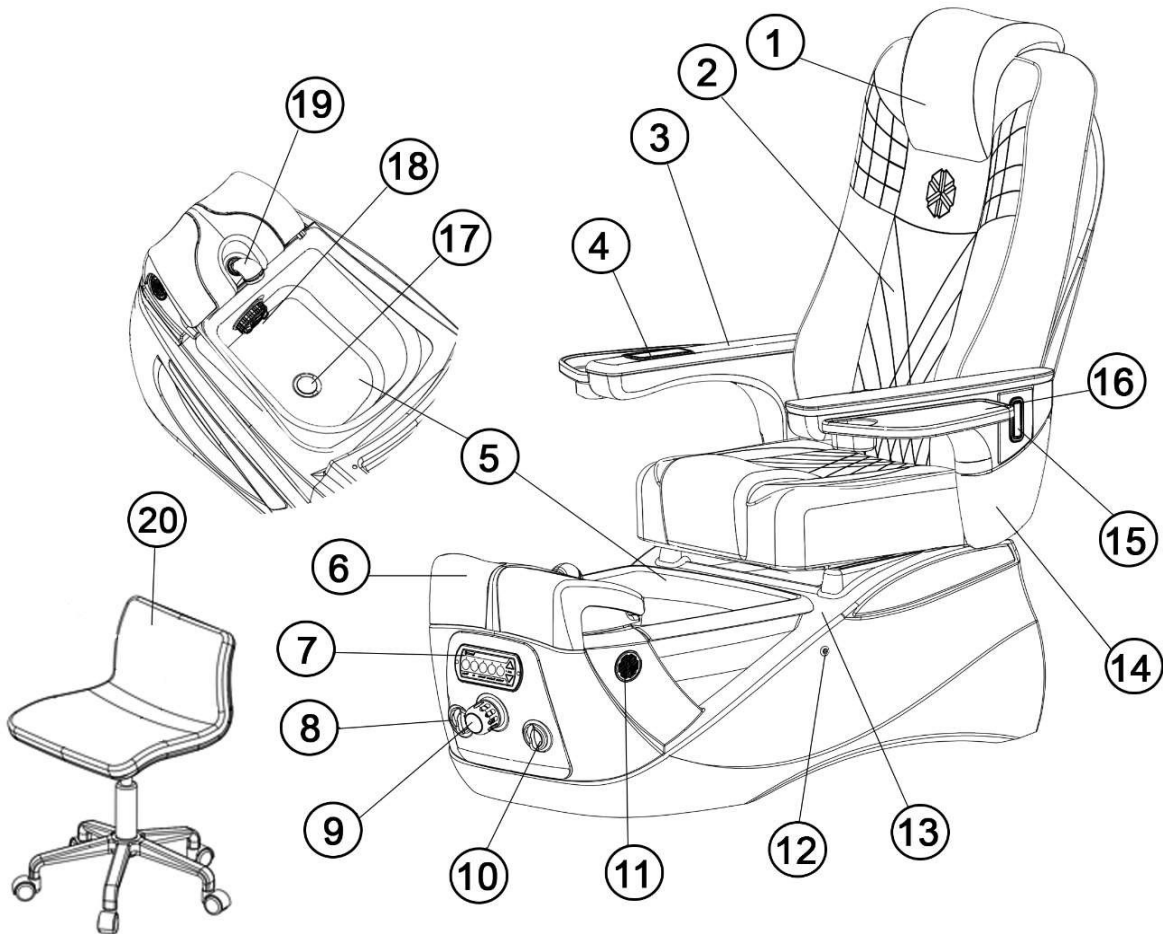


Pedicure Spa with Massage System

- | | |
|-------------------------------|--------------------------------|
| 1. Headrest | 11. Ventilation Inlet |
| 2. Back Cushion with Massage | 12. Air-Jet Connector |
| 3. Armrest Cushion | 13. Liner Hook |
| 4. Massage Remote Control | 14. Up/Down Armrest |
| 5. Aurora Bowl | 15. Handbag (Purse) Hook |
| 6. Footrest with Calf Support | 16. Manicure Tray |
| 7. Digital control System | 17. Air ring therma Jet |
| 8. Drain Knob | 18. ECOJET™ Magnetic Drive |
| 9. Hot/Cold Water Mixer Valve | 19. Hand Spray Spout |
| 10. Auto-fill/Jet Knob | 20. Low Profile Pedicure Stool |

Spa Chair Dimensions & Weight:
 Spa (Seat up-right): L=53" (134 cm), W=31" (79 cm) W/Tray 48" (121 cm), H=56" (142 cm)
 Spa (fully reclined): L=68" (172 cm)
 Net Weight: 220 lbs | Shipping Weight: 230 lbs. | Max. Handling Load: 220 lbs.

IDENTIFYING PARTS FOR INFINITY® MODEL

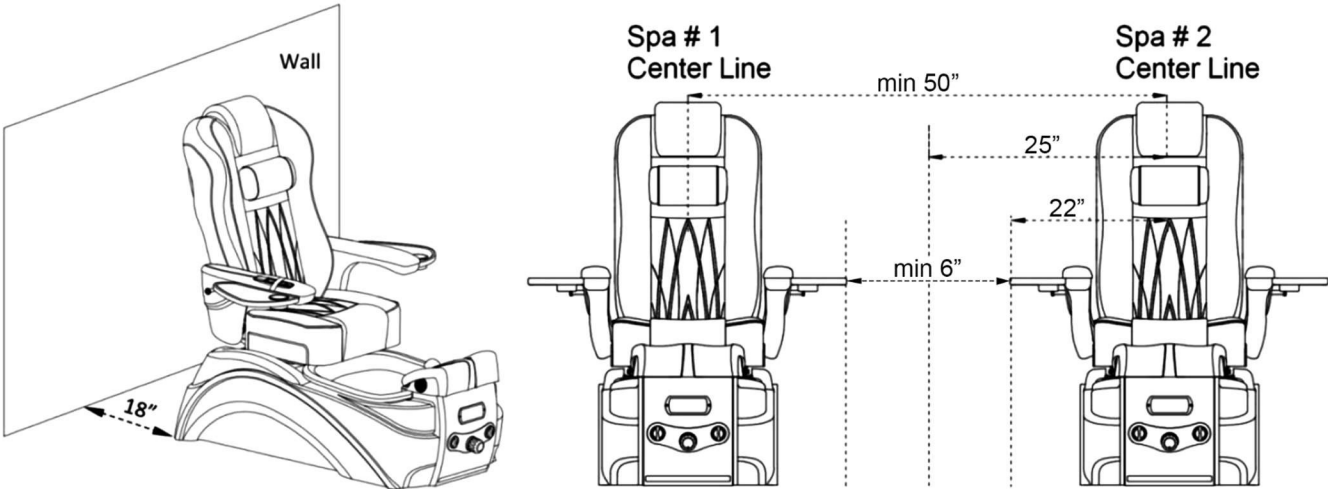


Pedicure Spa with Massage System

- | | |
|-------------------------------|--------------------------------|
| 1. Headrest | 11. Ventilation Inlet |
| 2. Back Cushion with Massage | 12. Air-Jet Connector |
| 3. Armrest Cushion | 13. Liner Hook |
| 4. Massage Remote Control | 14. Up/Down Armrest |
| 5. Aurora Bowl | 15. Handbag (Purse) Hook |
| 6. Footrest with Calf Support | 16. Manicure Tray |
| 7. Digital control System | 17. Air ring therma Jet |
| 8. Drain Knob | 18. ECOJET™ Magnetic Drive |
| 9. Hot/Cold Water Mixer Valve | 19. Hand Spray Spout |
| 10. Auto-fill/Jet Knob | 20. Low Profile Pedicure Stool |

Spa Chair Dimensions & Weight:
 Spa (Seat up-right): L=53" (134 cm), W=31" (79 cm) W/Tray 48" (121 cm), H=54" (137 cm)
 Spa (fully reclined): L=68" (172 cm)
 Net Weight: 220 lbs | Shipping Weight: 230 lbs. | Max. Handling Load: 220 lbs.

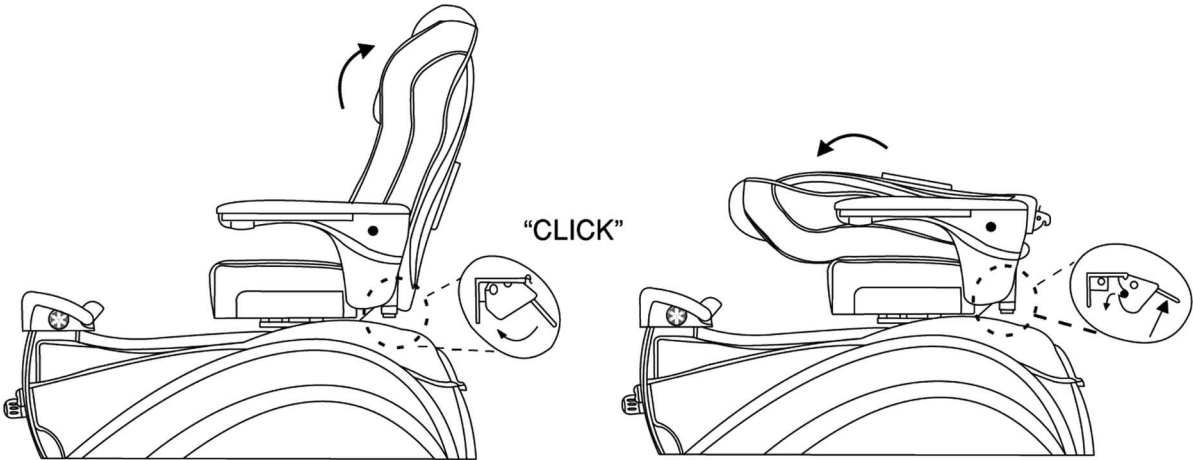
WALL CLEARANCE & SPA TO SPA RECOMMENDED CLEARANCE



VERY IMPORTANT: Both the back of the chair and seat are adjustable. When the seat is at a maximum incline, one must allow 18"(44cm) from the back wall to the foot spa. This minimum distance assures an unobstructed recline. Failure to follow this required dimension might damage your spa components and plumbing connections, which will void your warranty.

INSTALLATION OF PEDICURE SPA SEAT

1. FOLD & UNFOLD BACK-REST MASSAGE



Raise the backrest until a "click" is heard. Make sure the lever is locked before operating.

To fold down the backrest: Lift up lever handle and push the backrest downward.

INSTALLATION OF PEDICURE SPA CUSHION

INSTALLATION

Step 1: Attach the back cushion by placing 2 hooks left and right back frame on the shaft massage frame.

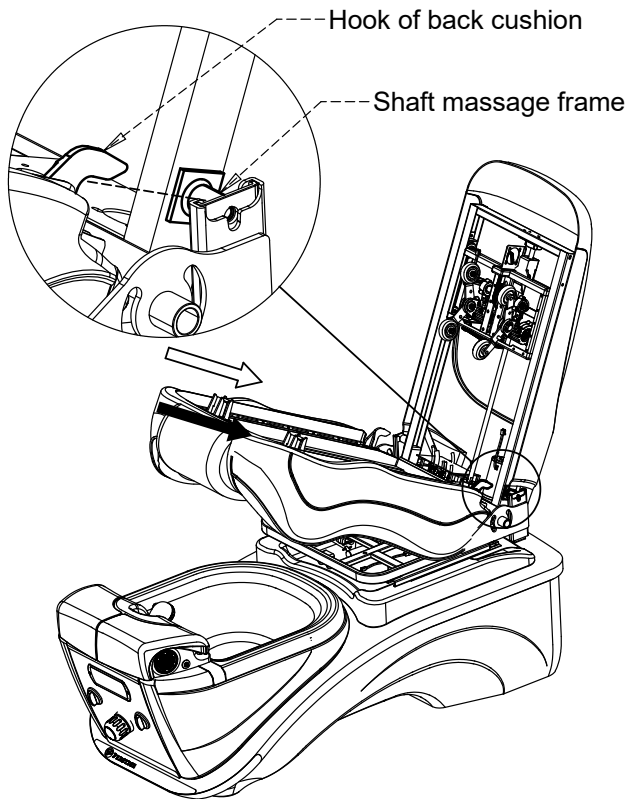


Fig. 1

Step 2: Pivot the back cushion up, then insert snap fit joint of back cushion on the crossbar top massage frame, press the back cushion firmly on the massage frame to secure.

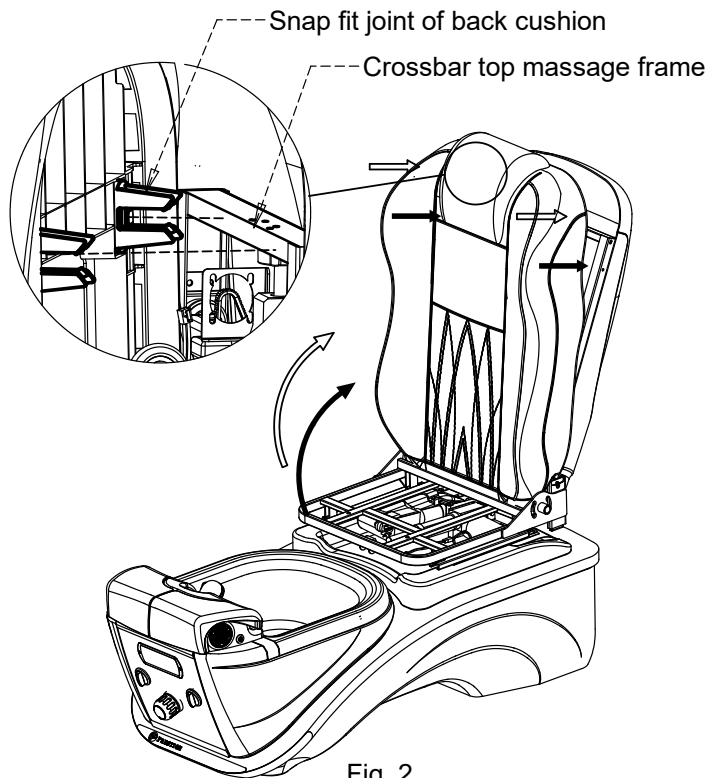


Fig. 2

Step 3: Attach the seat cushion by placing 2 hooks left and right seat cushion on the rear crossbar seat frame.

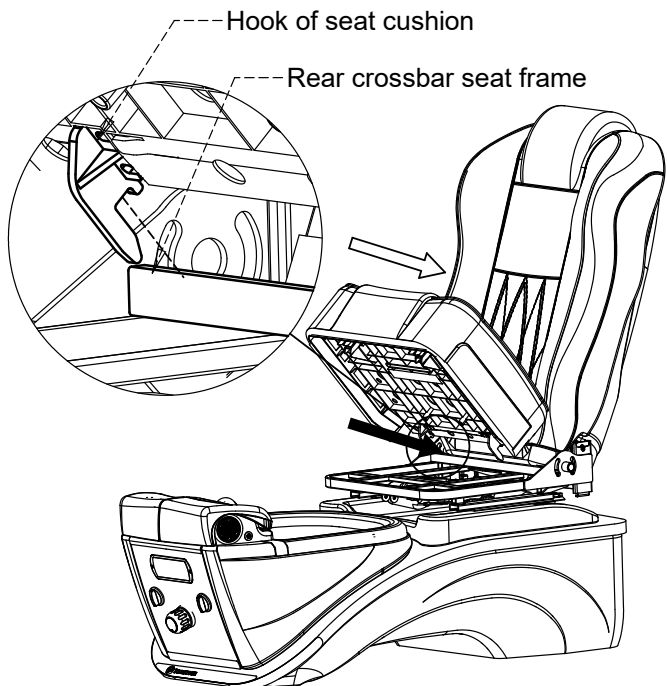


Fig. 3

Step 4: Pivot the seat cushion down, then insert snap fit joint of seat cushion on the crossbar seat frame, press the seat cushion firmly on the seat frame to secure.

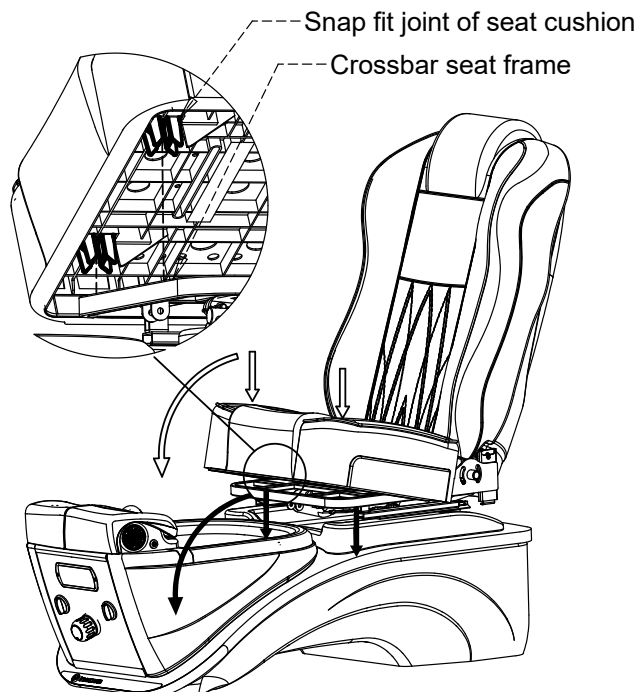
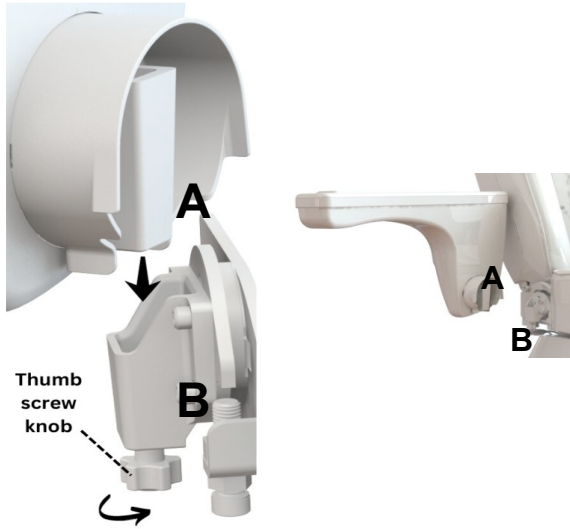


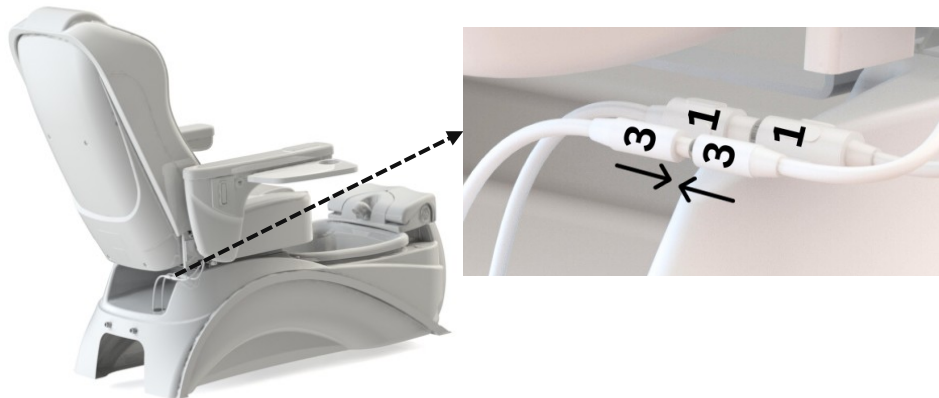
Fig. 4

ARMRESTS ASSEMBLY

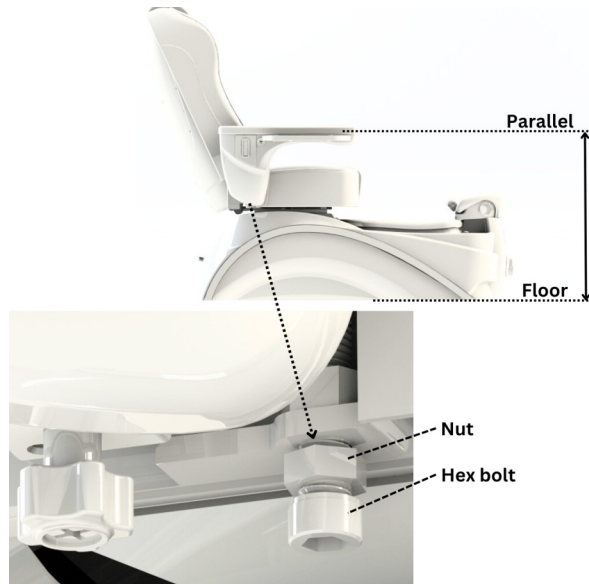
Step 1: Install the armrests by inserting part A into part B and gently shake the armrest while turning the knob clockwise to secure it.



Step 2: Connect cable connectors labeled "1" and cable connectors labeled "3" together (Right armrest).



Note: If the armrest is not parallel to the floor, we can adjust the hex bolt at the bottom of the seat frame. After adjustment, tighten the nut to lock.



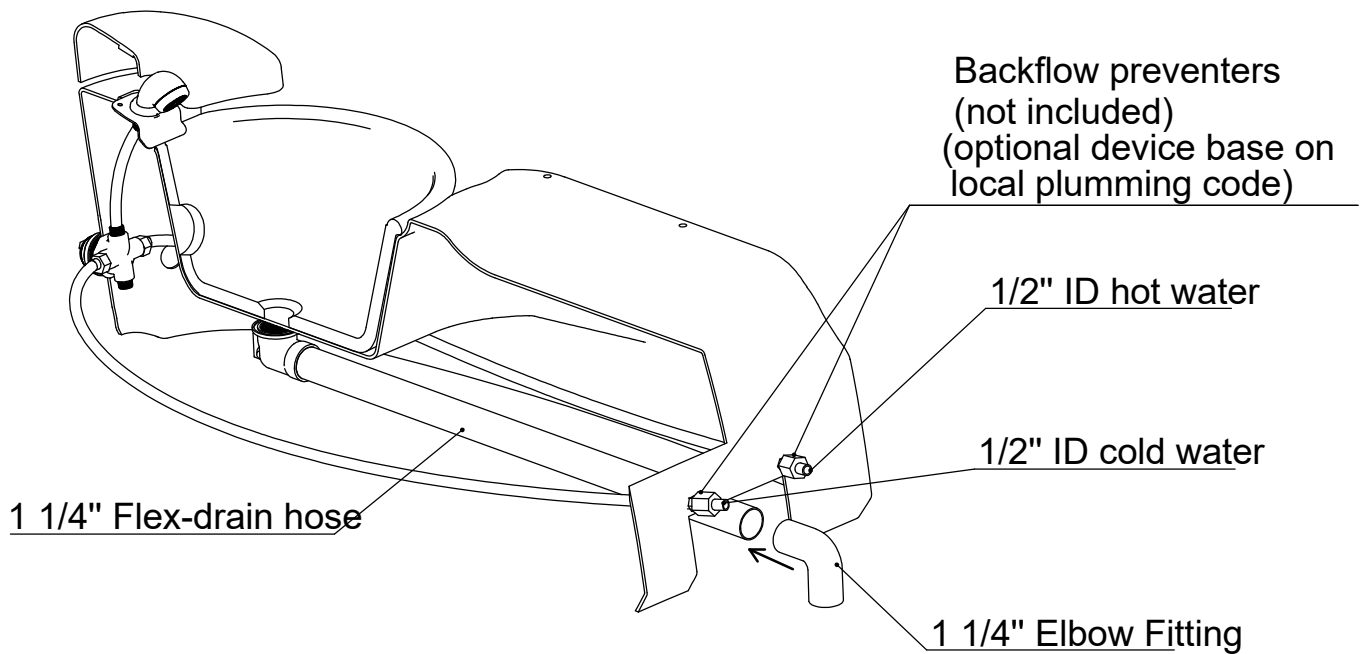
INSTALLATION OF PLUMBING SYSTEM

NOTE: The drainage and water supply system installation require a licensed plumber. Detailed instructions can be found in the manual book. Instructions and local plumbing codes need to be carefully complied to pass the city inspections.

1. GRAVITY DRAIN

GRAVITY DRAIN

** 1-1/4" Flex hose with removable connector is provided for easy installation.



The gravity drainage installation should comply with SECTION 701.0, 2018 UPC.

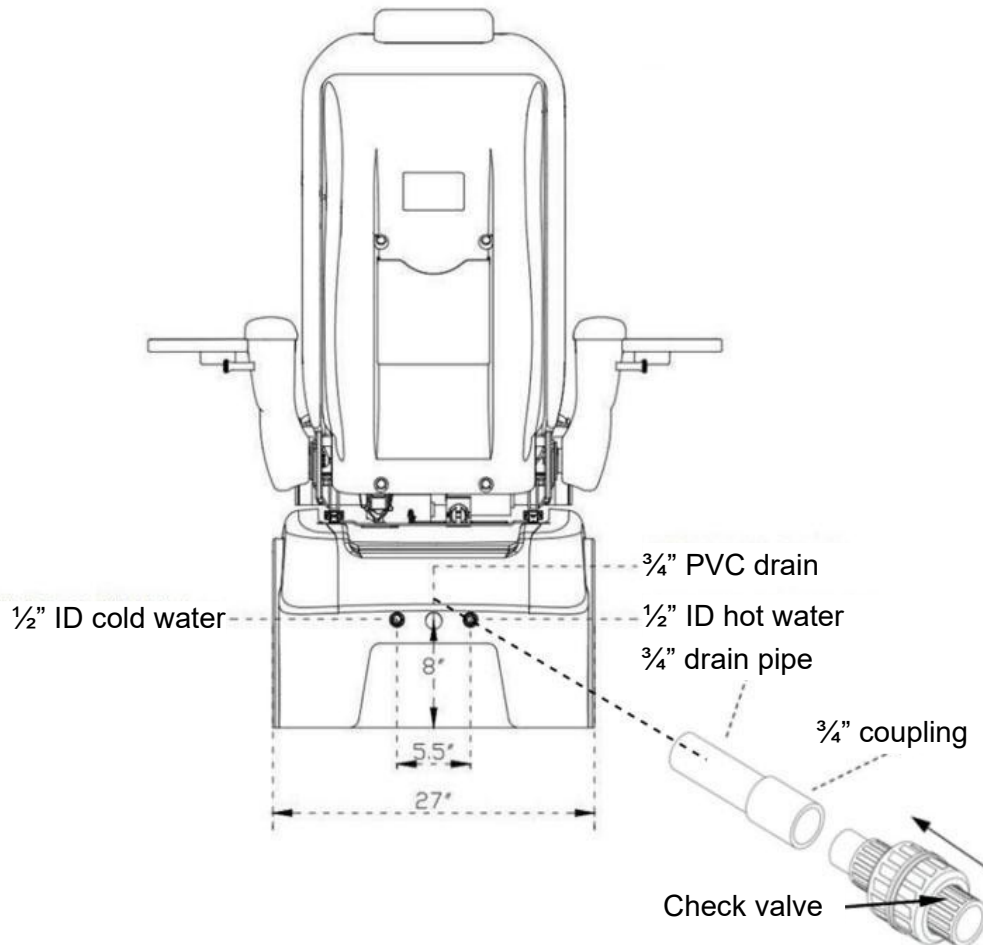
P-trap, vent, and connectors should comply with SECTION 1001.1 and 1001.2 UPC.

An alternative code needs to be complied with by the states not adopting UPC.

- Drainage system: SECTION 701.2 and 702.2 IPC (or local plumbing code).
- P-trap, vent, and connectors: SECTION 1002.1 and 1002.2 IPC (or local plumbing code).

The installer/plumber is responsible for obtaining and complying with the local plumbing code for inspection. If any assistance is required from the vendor's side, please contact our customer service.

2. POWER DRAIN



The power drainage installation should comply with SECTION 807.1, 2018 UPC.

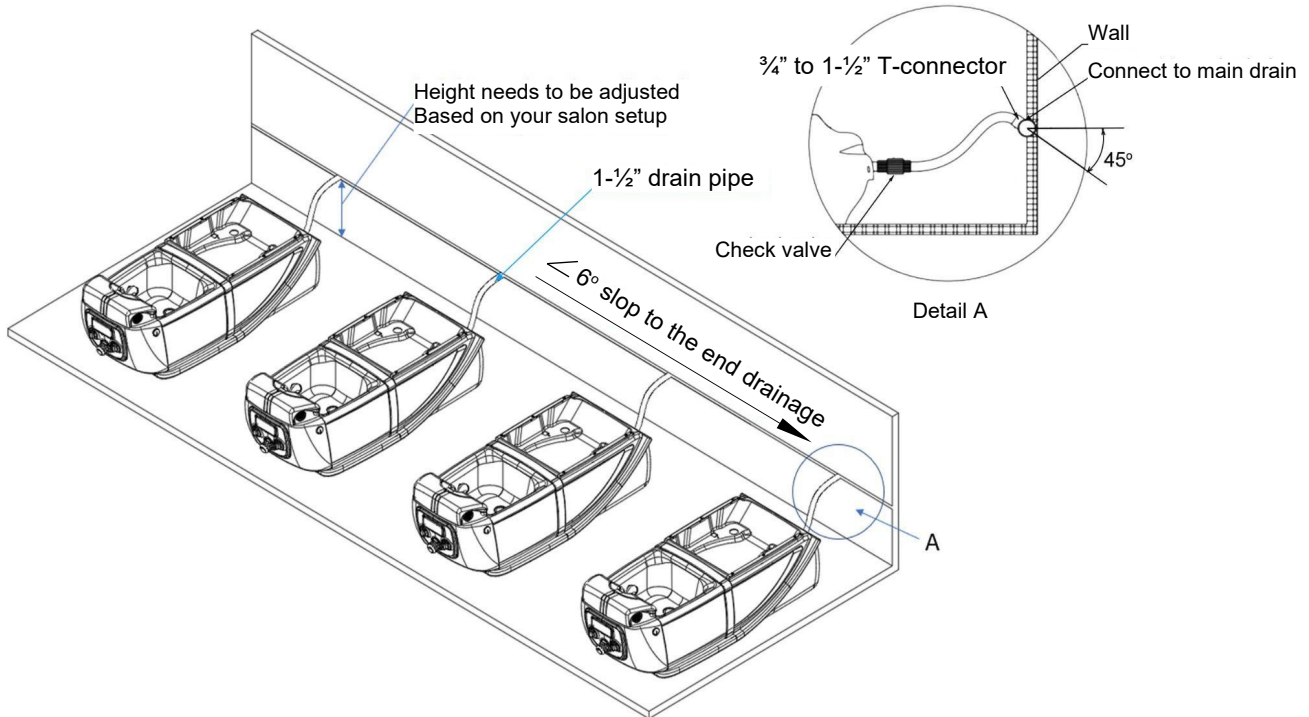
P-trap, vent, and connectors should comply with SECTION 1001.1 and 1001.2 UPC.

An alternative code needs to be complied with by the states not adopting UPC.

- Drainage system: SECTION 701.2 and 702.2 IPC (or local plumbing code).
- P-trap, vent, and connectors: SECTION 1002.1 and 1002.2 IPC (or local plumbing code).

The installer/plumber is responsible for obtaining and complying with the local plumbing code for inspection. If any assistance is required from the vendor's side, please contact our customer service.

3. DRAIN SYSTEM RECOMMENDATION



4. HOT/COLD WATER SUPPLY SYSTEM

NOTE: The drainage and water supply system installation require a licensed plumber. Instructions and local plumbing codes need to be carefully complied to pass the city inspections.

New constructions: drain a good amount of water in a bucket to remove all debris from the new hot/cold water pipes before connecting to new SPA chairs (figure 1).

Replacement Spas: Make sure to use new hot/cold water hoses to replace old ones before installing a new Spa chair. The old debris, rubber, or plastic chips could clog the water inlet system.

** Failure to do so will void the warranty.

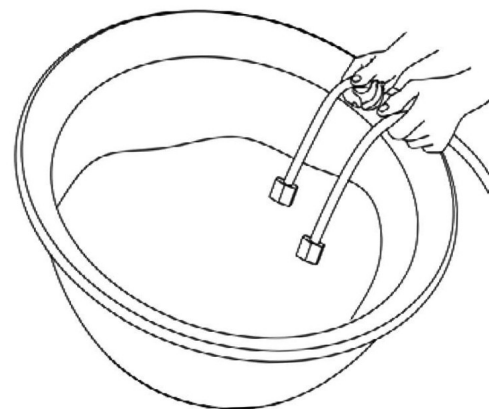


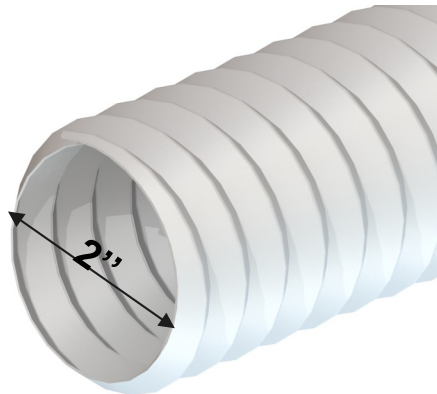
Figure 1. Drain water to remove debris before installing new Spa chair.

INSTALLATION OF VENTILATION SYSTEM (OPTIONAL)

(The Spa comes with a preinstalled ventilation system. Please contact your state department for the requirements and regulations).



Pull out the stretchable air pipe located inside the spa base and connect to your ventilation system as needed.



ELECTRICAL AND PEDICURE SPA COMPONENT SPECIFICATIONS

All electrical connections MUST be made by a licensed electrician following Local & National Electrical and Building Codes.



WARNING:

IT IS EXTREMELY IMPORTANT THAT THE FOOT SPA OPERATES WITH *GFCI* PROTECTION
A 110V-50/60Hz 15 Amp *GFCI* MUST BE UTILIZED

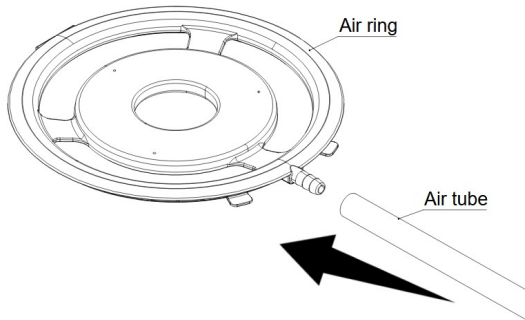
SPECIFICATIONS LIST

Spa Dimensions & Weights	See page 2-6 for each model's specifications
Adjustable Stool	Pedicure Stool: 12" – 13" Manicure Stool: 16.25" – 20"
Spa Water Capacity	~ 4 US Gallon
Jet Motor	120 VAC. 85W 60Hz
Massage, Motors, Seat Sliding & Reclining	24VDC, 120W Max
Discharge Pump	Motor – 120V at 85W 60 Hz Maximum vertical lift: 3ft. Flow rate 400 GPH @ floor level
Air Pump for Air-Jet	120V 70W 60Hz
Exhausted air	50 cfm
Power source	115 VAC, 60HZ, 15A. The power needed per spa chair = 7 Amp
Electrical Switches	One (1) electro-mechanical knob for the Whirlpool rated at 5A contacts. One (1) electro-mechanical knob for the Drain. Rated at 5A contact.
Safety	Pedicure Spa is UL Listed.

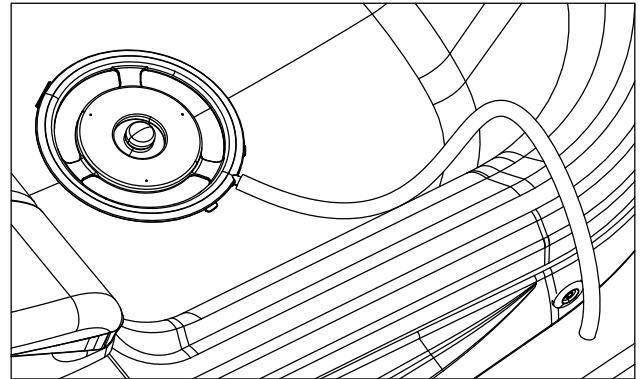
PRE-OPERATIONAL SETUP

1. AIR JET SET UP

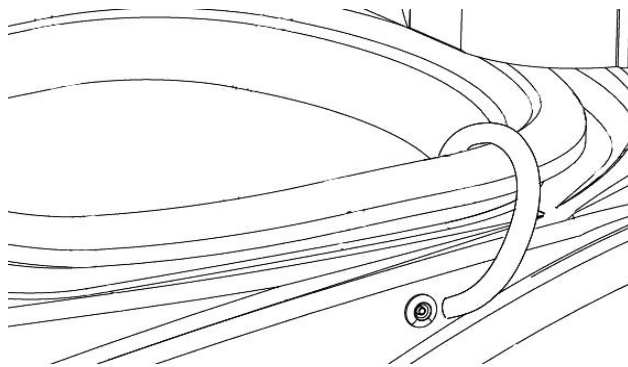
Step 1: Insert air tube to air ring.



Step 2: Place the air ring in the bowl.



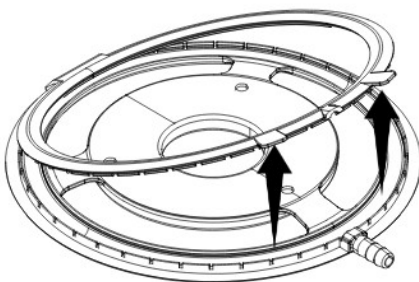
Step 3: Plug in the other end of the pipe to the Air-connector.



Note: Open and reassemble the air ring for cleaning as follows:

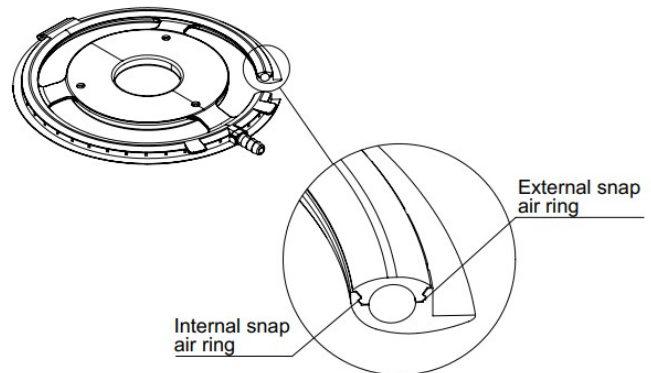
- Opening:

Hold one of the two levers of the air ring and pull the two halves apart.

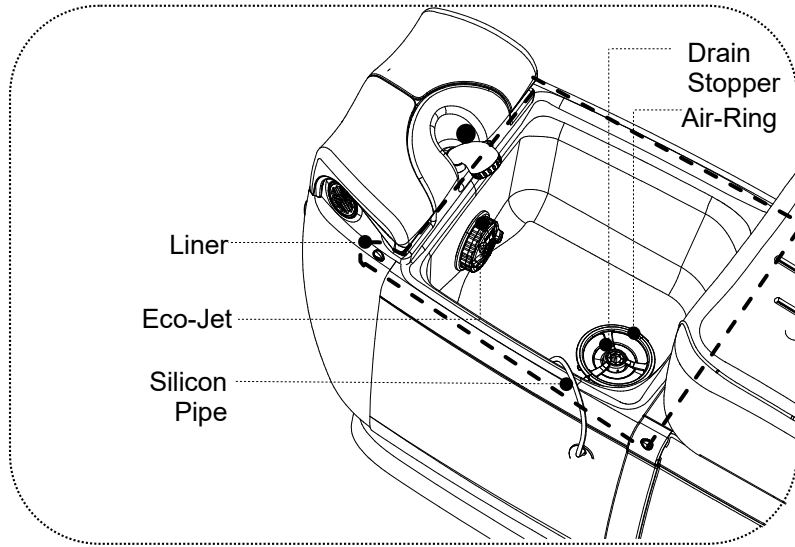


- Reassembling:

Align the two halves of the air ring and press around the air ring (**press the internal snap first, then press the external snap air ring**).



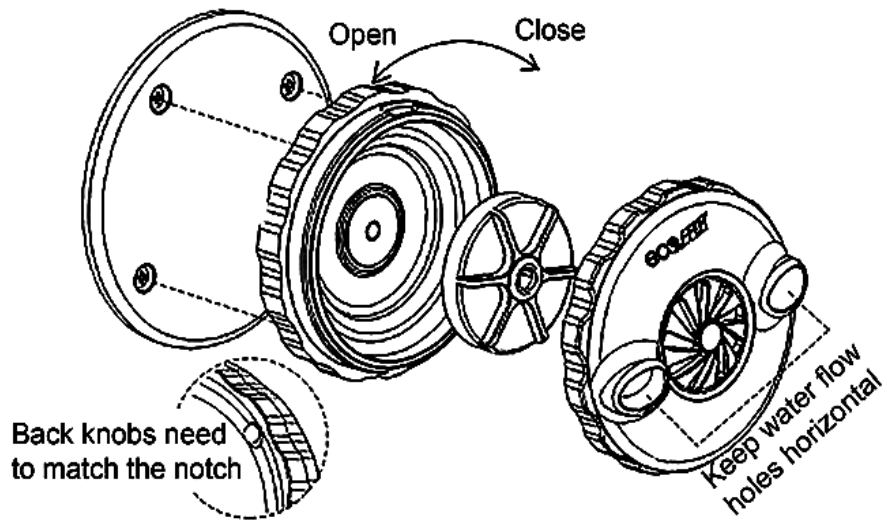
PRE-OPERATIONAL SETUP



The system should be set as the picture above before each service section.

(Location of the Air Connector slightly varies on different models. Refer to the page 2-6 to locate).

2. ECO-JET SET UP



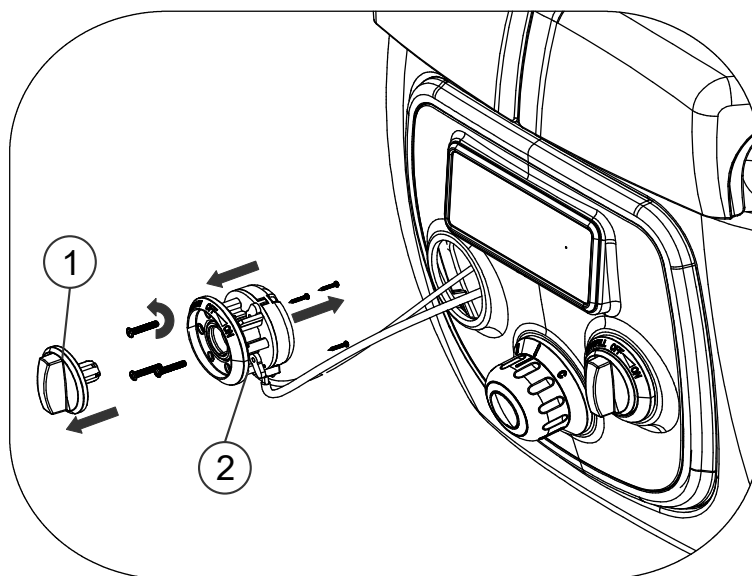
REMOVING THE DRAIN KNOB & THE AUTO-FILL/JET KNOB**1. REMOVING THE DRAIN KNOB.**

Step 1. Pull out part 1.

Step 2. Loosen (do not remove) 3 black screws (**note: there are 3 black screws interspersed with 3 white screws**). Then, remove part 2 from the front panel.

Step 3. Remove the 3 screws at the back of part 2 to remove the cover.

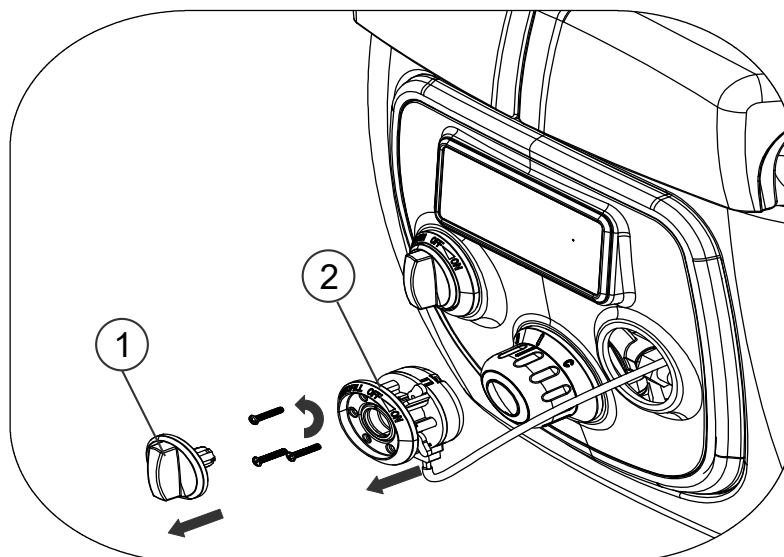
Step 4. Unplug the signal wire and remove the cable.

**2. REMOVING THE AUTO-FILL/JET KNOB.**

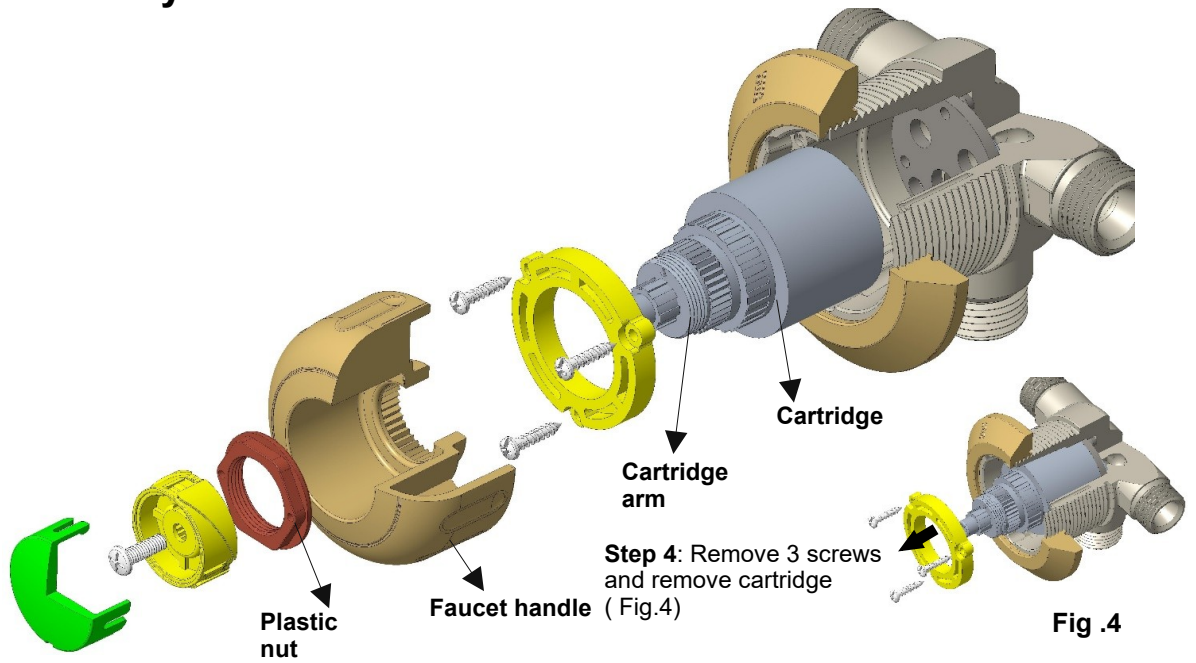
Step 1. Pull out part 1.

Step 2. Loosen (do not remove) 3 black screws (**note: there are 3 black screws interspersed with 3 white screws**). Then, remove part 2 from the front panel.

Step 3. Unplug the signal wire.



Faucet Assembly Instruction



Step 4: Remove 3 screws and remove cartridge (Fig.4)

Fig .4

Step 1: To open cap cover , use a pointed object (pen tip, toothpick head...)put at trench of cap cover and rotate counter clockwise (Fig.1).

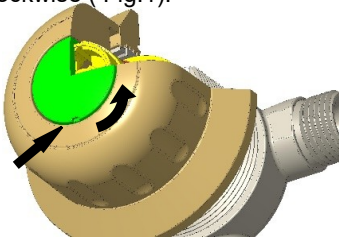


Fig .1

Step 2: Remove mounting screw and remove push button (Fig.2).

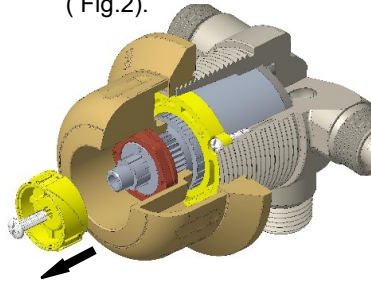


Fig .2

Step 3: Insert socket tool into faucet body to remove plastic nut and faucet handle (rotate counter clockwise) (Fig.3).

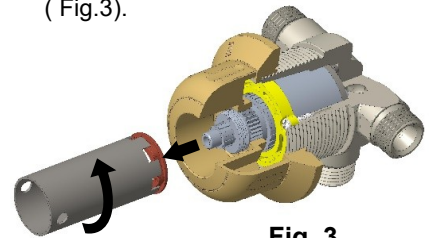


Fig .3

Step 5: When replacing the new cartridge. Pay fully attention on the 2 locking pins and the 2 guide holes (fig .5) they must be fully inserted and kept in place during the process to avoid leaking.

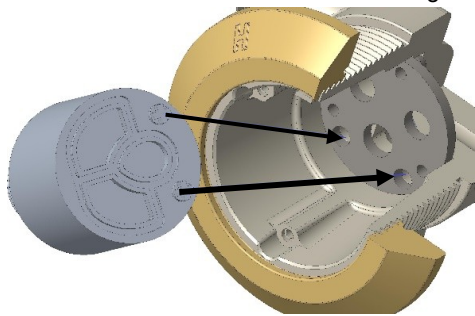


Fig .5

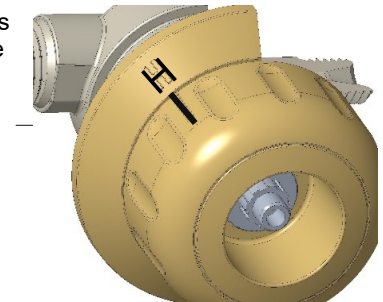


Fig .6.1

Step 6: Plug the cartridge into the valve body as instructed in step 5.

- Reverse step 4 by install the cartridge ring and 3 screws.
- Slowly turn the cartridge arm all the way to the left " H" (see Fig.6.1) or match the arrow inside the valve body (see fig.6.2) .
- Line up the trench mark on the faucet handle with the "H" on the valve body and reverse step 3 to secure them .
- Reverse step 2 to install the push button .
- Reverse step 1 to install the push button chrome cover.

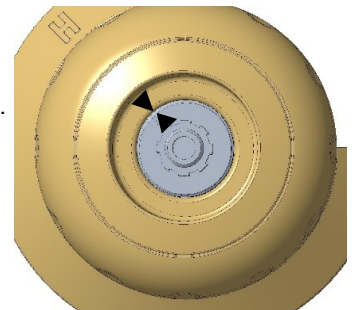
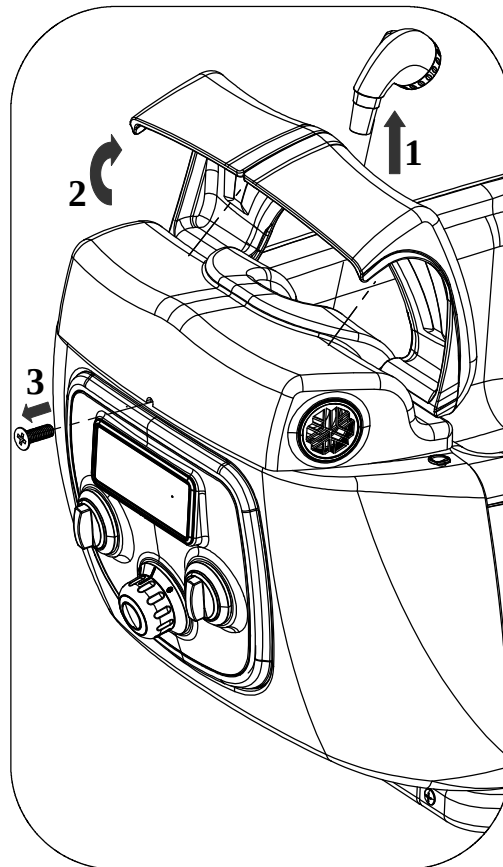


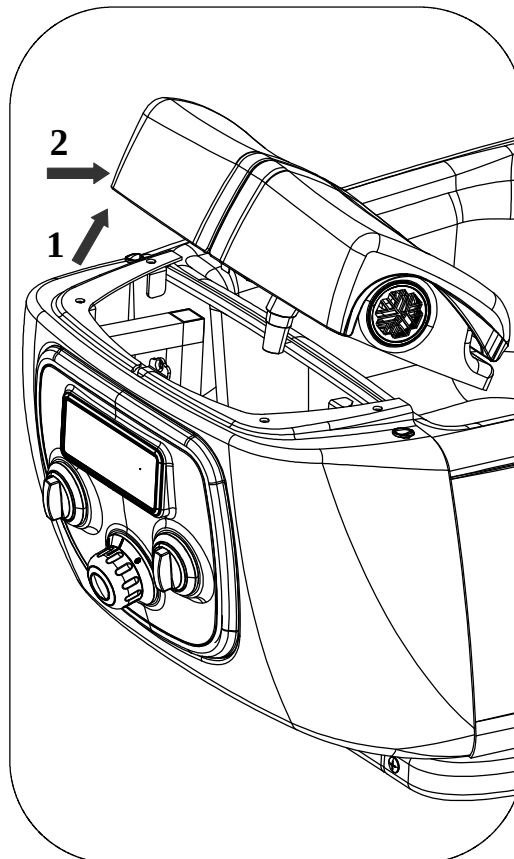
Fig .6.2

REMOVING THE FOOTREST.**STEP 1.**

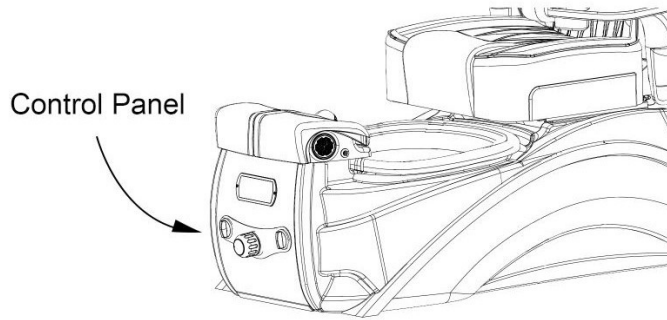
1. Pull out & remove the spout and do not let the hose drop into the bottom base.
2. Raise the calf support.
3. Remove the screw on front of footrest.

**STEP 2.**

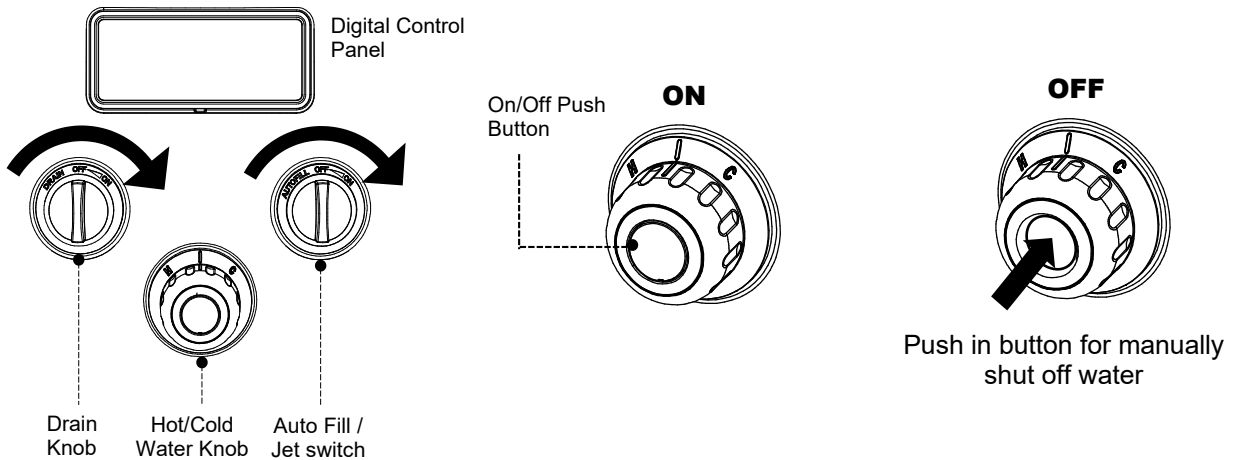
Lift up the footrest & push footrest backward.



OPERATE Auto-Fill™/Jet Switch:



Locate the control panel at the front of the spa base. Follow the instructions below to operate the pedicure spa.



- Twist Auto-Fill/Jet switch clockwise then release to start auto-fill. Water will automatically shut off when it reaches the preset water sensor level.
- Turn the Auto-Fill/Jet switch again to turn off the water pump (also turn off Eco-Jet).
- Twist drain knob clockwise to start draining. Twist it back when the draining is done.
- Use “Hot/Cold water knob” to manually adjust the water temperature.
- Push button on the Hot/Cold Water Knob to turn on/off main water valve.

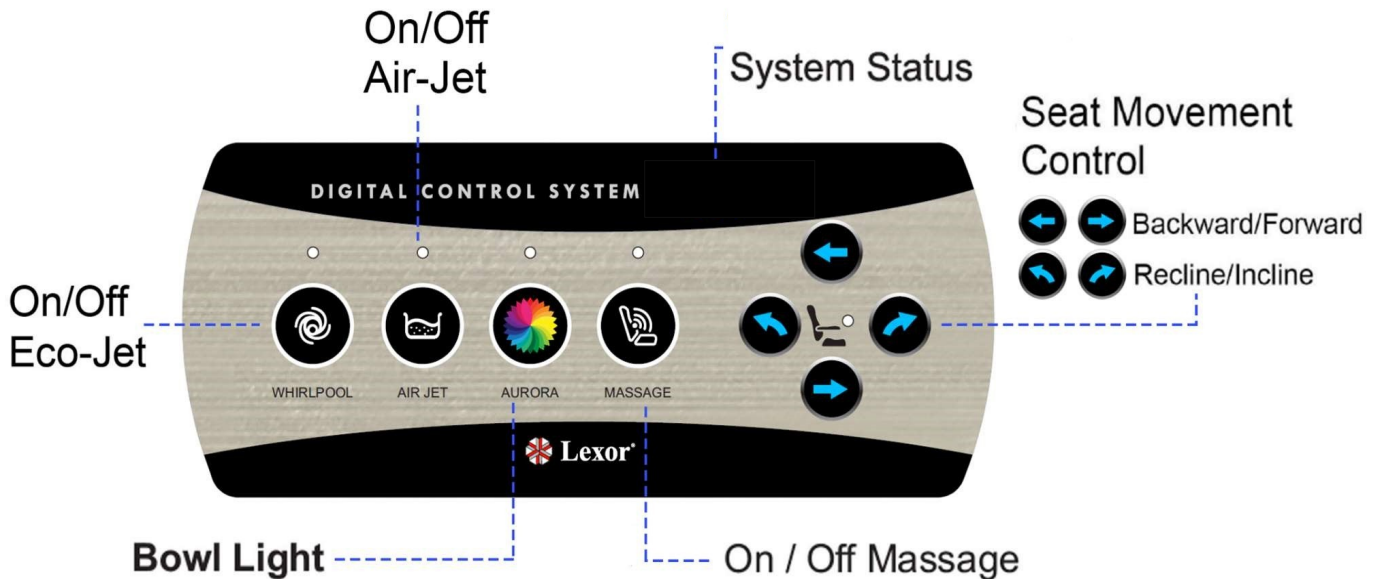
***** The Hot/Cold water control knob should be turned off at the end of the day to prevent water leakage.**



- By default, Eco-Jet will automatically turn on when the water level is full. To turn off the Eco-Jet, click the “Whirlpool button” on the digital control panel or twist Auto-Fill/Jet switch.

***** ECO-JET MUST OFF BEFORE DRAINING THE WATER OUT, IF NOT THE DEVICE WILL BE DAMAGED.**

OPERATE DIGITAL CONTROL PANEL:



- Light is automatically with the system Autofill while Eco-jet is activated, and turns off when system shuts off.
- Turn on manually:* Click “Aurora” button.
- Select Color:* Click to loop through 8 color options. Stop at the selected color.
- Turn off manually:* Press & Hold for 2s

- ❖ The LED light indicates the current working status.
- ❖ The factory setting for Dual-Jet:
 - By default, Eco-jet automatically turns on with Auto-fill. Click the “WhirlPool” button to turn it on/off.
 - Click the “Air-Jet” button to turn on/off the Air-jet.
 - When draining starts, the air-jet, and Eco-jet automatically turn off. The settings will be memorized for the next section. When the system starts again, the dual-jet automatically turn on as the last section ended.



WARNING:

DO NOT TURN “ON” THE ECO-JET UNLESS ADEQUATE WATER IS IN THE TUB, OR IT MAY DAMAGE THE JET AND CAUSE NOISE.



WARNING:

DO NOT TURN “ON” THE DRAIN PUMP UNLESS ADEQUATE WATER IS IN THE TUB. THE WARRANTY IS VOID IF THE PUMP WAS RUNNING DRY.

RESET WATER SENSOR AND WATER LEVEL

1. RESET WATER SENSOR (EMPTY BASIN BEFORE ACTIVATING THIS MODE)



- A reset water sensor is required when the water level is out of range.

** Note:

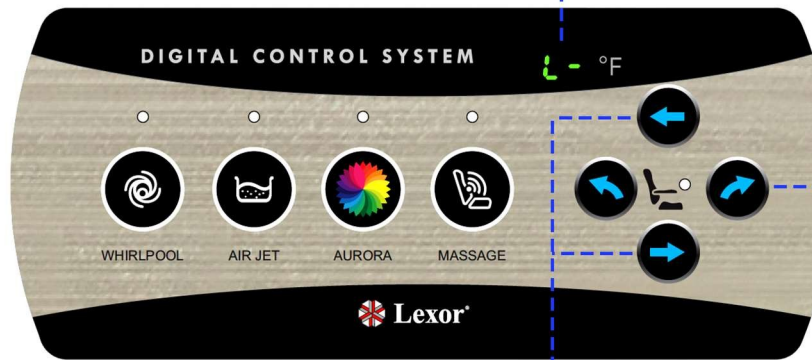
- This will also reset the water level to default = 3.
- Click should be pressed slowly.
- Press and hold the "WHIRLPOOL" button again for 3 sec to resume system operation or the system will be automatically resumed if no action is taken in 20 sec.

2. ADJUST THE WATER LEVEL FOR AUTO-FILL (EMPTY BASIN BEFORE ACTIVATING THIS MODE)

1. Press & Hold for 3 sec. The LED will display "CAL"
Click until "Adj" appears on the screen



2. The LED will display “L -”



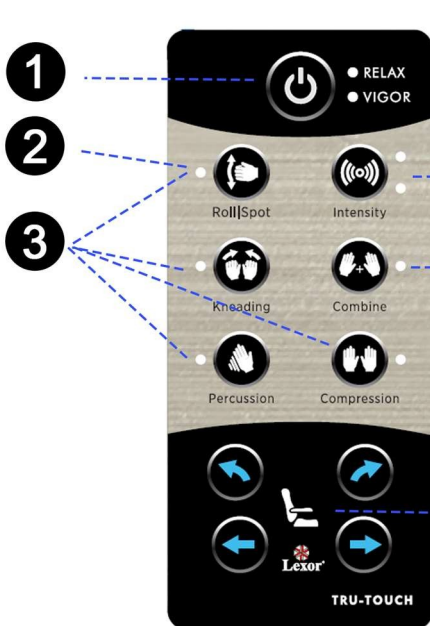
4. Click to confirm:
- “L-X” will blink if successful (x=1:5)
-No blink if failed.

3. Click or to increase or decrease the water level, where 1 is lowest and 5 is highest level.

** Note:

- Click should be pressed slowly.
- Press and hold the “WHIRLPOOL” button again for 3 sec to resume system operation or the system will be automatically resumed if no action is taken in 20 sec.

MASSAGE SYSTEM & REMOTE CONTROLLER



1. Press to start Auto mode with RELAX (low intensity). Press again to switch to VIGOR (high intensity). Press again to turn off the massage. Auto and Manual mode will run for 20 mins.
2. Press Rolling/Spot to stop rolling up/down and stop at the desired spot.
3. Press any button (Rolling/Spot, Kneading, Tapping, Compression) to enter manual mode with indicated action.
4. At manual mode, press the Intensity button to select between Low and High intensity.
5. Press the Combine button to resume Tapping mode.
6. Press any chair button (Recline, Incline, Backward, Forward) to move the chair to desired positions.

**WARNING:**

YOU MUST ALWAYS REFER TO YOUR STATE OR LOCAL GUIDELINES FOR CLEANING REQUIREMENTS, OVERNIGHT SOAKING WITH OVERDOSED CHLORINE MAY DAMAGE RUBBER PART IN BASIN

CLEANING PROCEDURE IS REQUIRED BY STATE BOARDS

Note: * A cleaning log should be kept with each pedicure spa *****

Each State will have slight differences in cleaning policies, please check with your state's Bureau of Barbering and Cosmetology or Regulatory Authority for specific details.

Safety Requirements for Pedicure Spas

The Bureau of Barbering and Cosmetology requires that salons using whirlpool pedicure foot spas must follow these disinfecting procedures to ensure proper cleaning and maintenance of the equipment and prevent bacterial or parasitic spread disease.

Violation of this section may result in an administrative fine and/or disciplinary action. Each foot spa that is not in compliance with this section may result in a separate violation.

NOTE: Authority cited: Section 7312, Business and Profession Code. Reference: Section 7312 (e), Business and Profession Code.

Below is a suggestion for your pedicure spa chair's cleaning procedure:

After each customer

1. All water shall be drained and all debris shall be removed from the spa basin.
2. The spa basin must be cleaned with soap or detergent and water
3. The spa basin must be disinfected with an EPA-registered disinfectant with demonstrated bactericidal, fungicidal, and virucidal activity, which must be used according to the manufacturer's instructions.
4. The spa basin must be wiped dry with a clean towel.

At the end of each day

1. The screen shall be removed, all debris trapped behind the screen shall be removed, and the screen and the inlet shall be washed with soap or detergent and water.
2. Before replacing the screen, the screen shall be immersed in an EPA-registered disinfectant with demonstrated bactericidal, fungicidal, and virucidal activity, which must be used according to the manufacturer's instructions.
3. The spa system shall be flushed with low sudsing soap and warm for at least 10 minutes, after which the spa shall be rinsed and drained.

At least once a week

1. The spa basin shall be filled with warm water and 1 teaspoon of 5.25% bleach for each gallon of water, or a solution of Sodium Hypochlorite of approximately 50ppm used according to manufacturer's instructions.
2. The spa system shall be flushed with the bleach and water solution, or Sodium Hypochlorite solution, for 5-10 minutes and allowed to sit for 6-10 hours.
3. The spa system shall be drained and flushed with water before use upon a patron.



THE KEY TO SALON SUCCESS.

LIMITED WARRANTY

Updated: 5/23/2022

TERM COMMENCEMENT:

Limited warranty term commences on date product is received by the customer.

2-YEAR PARTS EXCHANGE LIMITED WARRANTY:

All parts for the pedicure spa chair model: Prive Lounge, Prestige, Envision Spa, Elite, Liberte, Luminous and Infinity.

90-DAY PARTS EXCHANGE LIMITED WARRANTY ON INDIVIDUAL PARTS SOLD:

All purchased parts will be covered for 90-Day parts exchange only.

NON-WARRANTY PRODUCT:

This limited Warranty is not covered on Furniture, Technician Stools/Customer Chairs, and Accessories.

PART REPLACEMENT SHIPPING FEE:

Shipping fee for replacement parts are covered under this Limited Warranty. Customers must return the defective parts to Lexor. at customer's expense. The defective part must include the RETURN AUTHORIZATION NUMBER (RMA number) which is provided by Lexor's Customer Support Representative. The RMA number will help us locate the parts and complete the service in a timely manner. Lexor is not responsible for missing/lost returned defective parts which are being returned without the RMA number issued.

PARTIAL TERMS AND CONDITIONS OF LIMITED WARRANTY:

Wear and tear, thermal stress crack on glass and marble, physical damage, abuse, misuse, accidental events are not included in this Limited Warranty. Replacement parts are supplied with instructions and specially designed for simple installation; therefore, do not require a technician onsite.

SHIPPING DAMAGE CLAIM:

Shipping damages must be reported within Twenty-Four (24) Hours after receiving the products. Customers must inspect the shipment to make sure there are no damages prior to signing the Bill of Lading (BOL - provided by the trucking company). If there is any damage to the shipment, please notate it on the BOL before signing it and contact Lexor's Customer Support immediately for making a damage report.

WARRANTY DISCLAIMER:

Lexor shall have no obligation to repair, replace or refund until the verification process is completed. This limited warranty applies only to Lexor Pedicure Spa Chairs utilized in the United States. This Limited Warranty is not transferable. This Warranty is void if products are removed from its initial location of shipment as provided from the invoice. Furthermore, the Limited Warranty is void if the product is subjected to improper maintenance, negligence, improper cleaning or any other circumstances beyond Lexor's control.

Continuing a policy of constant research and development to improve the quality of our products. Lexor, Inc. reserves the right to change pricing, parts, designs and specifications without prior notice or obligation under this Limited Warranty.

Lexor Manufacturing, LLC.
7400 Hazard Ave. Westminster, CA 92683
Customer Support (800)559-3030

QMTX.E319402
Plumbing Accessories

LEXOR INC E319402

7400 Hazard Ave

Westminster Ca 92683

Pedicure Spa, Model(s) Prestige

Pedicure spas, Model(s) Elite, Infinity

**Pedicure spas, additionally classified in accordance with the water retention requirements of ASME/ANSI A112.19.7M-2006, Model(s) Ambience, Elite Platinum, Elite Ultra, Envision, Essencia, Liberte, Luminous, Magna, Mystique, Q-Spa, Spa 100, Spa 200, Spa 300, PSD 400-xxx, Stellar, Ultima, Utopia, V-Spa, Versas, Vigor, Vista, Priv
e**

QMTX7.E319402
Plumbing Accessories Certified for Canada

LEXOR INC E319402

7400 Hazard Ave

Westminster Ca 92683

Pedicure Spa, Model(s) Prestige

Pedicure Spa, Model(s) Prestige

Pedicure spas, additionally classified in accordance with the water retention requirements of ASME/ANSI A112.19.7M-2006, Model(s) Ambience, Elite Platinum, Elite Ultra, Envision, Essencia, Liberte, Luminous, Magna, Mystique, Q-Spa, Spa 100, Spa 200, Spa 300, PSD 400-xxx, Stellar, Ultima, Utopia, V-Spa, Versas, Vigor, Vista



Lexor®

THE KEY TO SALON SUCCESS

HƯỚNG DẪN SỬ DỤNG GHẾ PEDI SPA

NHẬN VÀ KIỂM TRA: Nếu phát hiện thấy các bộ phận bị thiếu hoặc hư hỏng, vui lòng thông báo cho người vận chuyển ngay lập tức và yêu cầu ghi rõ về thiệt hại trên vận đơn. **KHÔNG VỨT BỎ THÙNG HÀNG.** Nếu bạn giao biên nhận của hàng bị hư trong quá trình vận tải cho phía hãng vận chuyển, thì bạn có thể sẽ không được bồi thường thiệt hại.

Mục Lục

CÁC BỘ PHẬN CHÍNH CỦA DÒNG GHẾ ELITE® MÔDEL	2
CÁC BỘ PHẬN CHÍNH CỦA DÒNG GHẾ PRESTIGE® MODEL	3
CÁC BỘ PHẬN CHÍNH CỦA DÒNG GHẾ LIBERTE® MODEL	4
CÁC BỘ PHẬN CHÍNH CỦA DÒNG GHẾ LUMINOUS® MODEL	5
CÁC BỘ PHẬN CHÍNH CỦA DÒNG GHẾ INFINITY® MODEL	6
HƯỚNG DẪN KHOẢNG CÁCH ĐẶT GHẾ	7
HƯỚNG DẪN LẮP ĐẶT LƯNG GHẾ	7
HƯỚNG DẪN LẮP ĐẶT NỆM GHẾ	8
HƯỚNG DẪN LẮP ĐẶT HỆ THỐNG THOÁT NƯỚC	10
HƯỚNG DẪN LẮP ĐẶT HỆ THỐNG THÔNG KHÍ (TÙY CHỌN)	13
THÔNG SỐ VỀ ĐIỆN VÀ LINH KIỆN GHẾ PEDI SPA	14
THIẾT LẬP TRƯỚC KHI VẬN HÀNH	15
HƯỚNG DẪN THÁO NẮM VẬN XẢ DRAIN VÀ NẮM VẬN AUTO-FILL	17
HƯỚNG DẪN LẮP RÁP FAUCET	18
HƯỚNG DẪN THÁO GÓI CHÂN	19
VẬN HÀNH AUTO-FILL / JET SWITCH	20
VẬN HÀNH BẢNG ĐIỀU KHIỂN KỸ THUẬT SỐ	21
THIẾT LẬP LẠI CẢM BIẾN NƯỚC VÀ MỰC NƯỚC	22
HỆ THỐNG MASSAGE VÀ BỘ ĐIỀU KHIỂN TỪ XA	23

CẢNH BÁO



1. Sản phẩm này chỉ sử dụng trong nhà & không được khuyến khích sử dụng trên thảm hoặc sàn gỗ
2. Sản phẩm phải được kết nối với ổ điện có thiết bị ngắt mạch Loại A (GFCI)
3. **KHÔNG SỬ DỤNG** nếu bạn có hệ tuần hoàn kém, hoặc bất kỳ vùng nào của bàn chân và chân có vết thương hở
4. Nhiệt độ nước cao nhất không được vượt quá 100 độ F.
5. **KHÔNG BƯỚC** hoặc **ĐỨNG TRONG CHẬU**
6. **KHÔNG** sử dụng các thiết bị điện tử gần ghế Pedi Spa
7. Trọng tải tối đa của ghế là 250 lbs (114 kg)

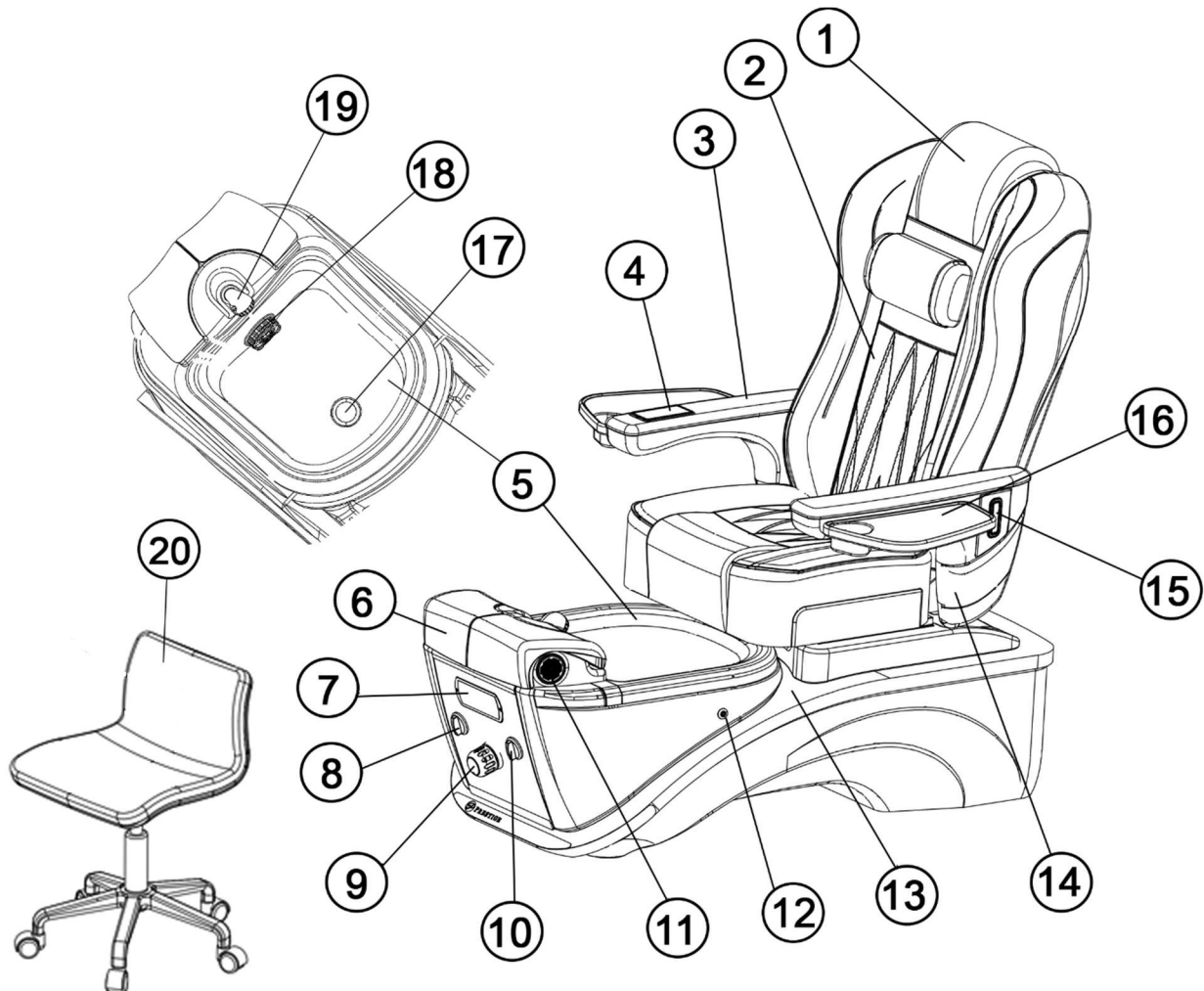
BẠN PHẢI LẮP ĐẶT GHẾ THEO ĐÚNG QUY CÁCH TRONG BẢN HƯỚNG DẪN NÀY. NẾU KHÔNG SẼ GÂY RA TAI NẠN NGHIÊM TRỌNG VÀ SẼ KHÔNG ĐƯỢC ÁP DỤNG QUY CHẾ BẢO HÀNH. GHẾ CẦN PHẢI ĐƯỢC CHUYÊN VIÊN ỒNG NƯỚC CÓ BẰNG HÀNH NGHỀ LẮP ĐẶT AN TOÀN.

LƯU Ý TỪ TIỂU BANG

Theo quy định chung của Liên Bang, tất cả các ghế spa được lắp ráp và sử dụng với mục đích thương mại tại tiểu bang đó, phải được trang bị backflow preventer. Thiết bị này được lắp đặt giữa ống cấp nước và vòi sen và do chủ salon tự chi trả.

VUI LÒNG LƯU LẠI CÁC HƯỚNG DẪN NÀY ĐỂ SỬ DỤNG VỀ SAU

CÁC BỘ PHẬN CHÍNH CỦA DÒNG GHẾ PRESTIGE® MODEL



Ghế Pedicure Spa với hệ thống Massage

- | | |
|----------------------------------|---------------------------------|
| 1. Gối đầu | 11. Lỗ hút khí |
| 2. Nệm lưng với hệ thống Massage | 12. Đầu nổi cho Air-Jet |
| 3. Tay ghế với nệm | 13. Móc Liner |
| 4. Điều khiển massage | 14. Tay vịn nâng lên / hạ xuống |
| 5. Chậu Aurora | 15. Móc giỏ xách |
| 6. Gối chân | 16. Khay làm móng tay |
| 7. Bảng điều khiển kỹ thuật số | 17. Bộ Air ring therma Jet |
| 8. Nắm vận bộ xả nước | 18. Bộ ECOJET™ Magnetic drive |
| 9. Nắm vận nước nóng/lạnh | 19. Vòi sen |
| 10. Nắm vận Auto-fill/Jet | 20. Ghế kỹ thuật viên prive |

Kích thước và trọng lượng ghế Spa:

Spa (lưng ghế thẳng): L=58" (147 cm), W=31" (79 cm) W/Tray 48" (121 cm), H=56" (142 cm)

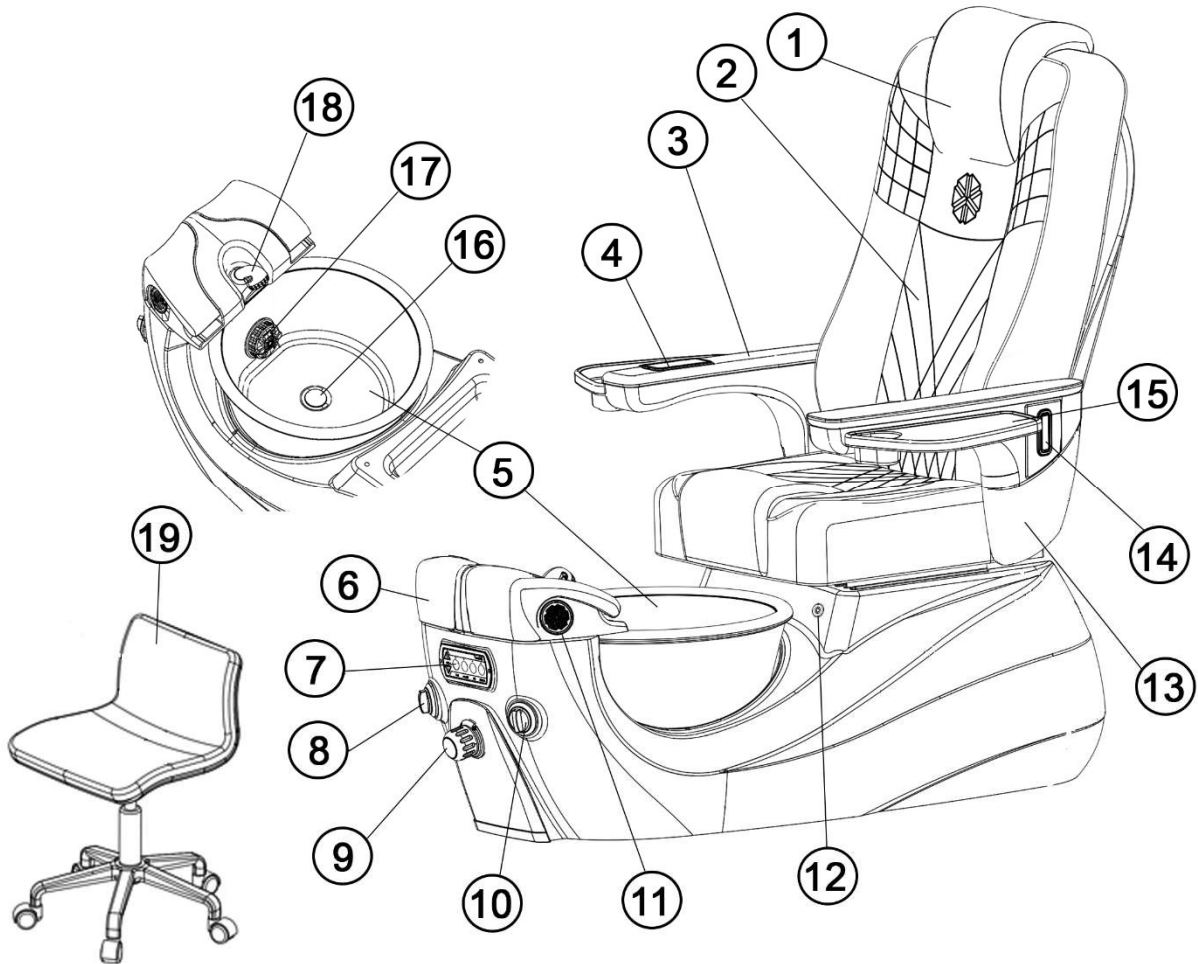
Spa (ngà ra sau hết cỡ): L=74" (187 cm)

Trọng lượng ghế: 220 lbs

Trọng lượng ghế khi vận chuyển: 260 lbs.

Trọng lượng ghế tối đa khi tháo dỡ: 250 lbs.

CÁC BỘ PHẬN CHÍNH CỦA DÒNG GHẾ LIBERTE® MODEL



Ghế Pedicure Spa với hệ thống Massage

- | | |
|----------------------------------|---------------------------------|
| 1. Gối đầu | 11. Lỗ hút khí |
| 2. Nệm lưng với hệ thống Massage | 12. Đầu nổi cho Air-Jet |
| 3. Tay ghế với nệm | 13. Tay vịn nâng lên / hạ xuống |
| 4. Điều khiển massage | 14. Móc giỏ xách |
| 5. Chậu Aurora | 15. Khay làm móng tay |
| 6. Gối chân | 16. Bộ Air ring therma Jet |
| 7. Bảng điều khiển kỹ thuật số | 17. Bộ ECOJET™ Magnetic drive |
| 8. Nắm vận bộ xả nước | 18. Vòi sen |
| 9. Nắm vận nước nóng/lạnh | 19. Ghế kỹ thuật viên prive |
| 10. Nắm vận Auto-fill/Jet | |

Kích thước và trọng lượng ghế Spa:

Spa (lưng ghế thẳng): L=66" (134 cm), W=31" (79 cm) W/Tray 48" (121 cm), H=56" (142 cm)

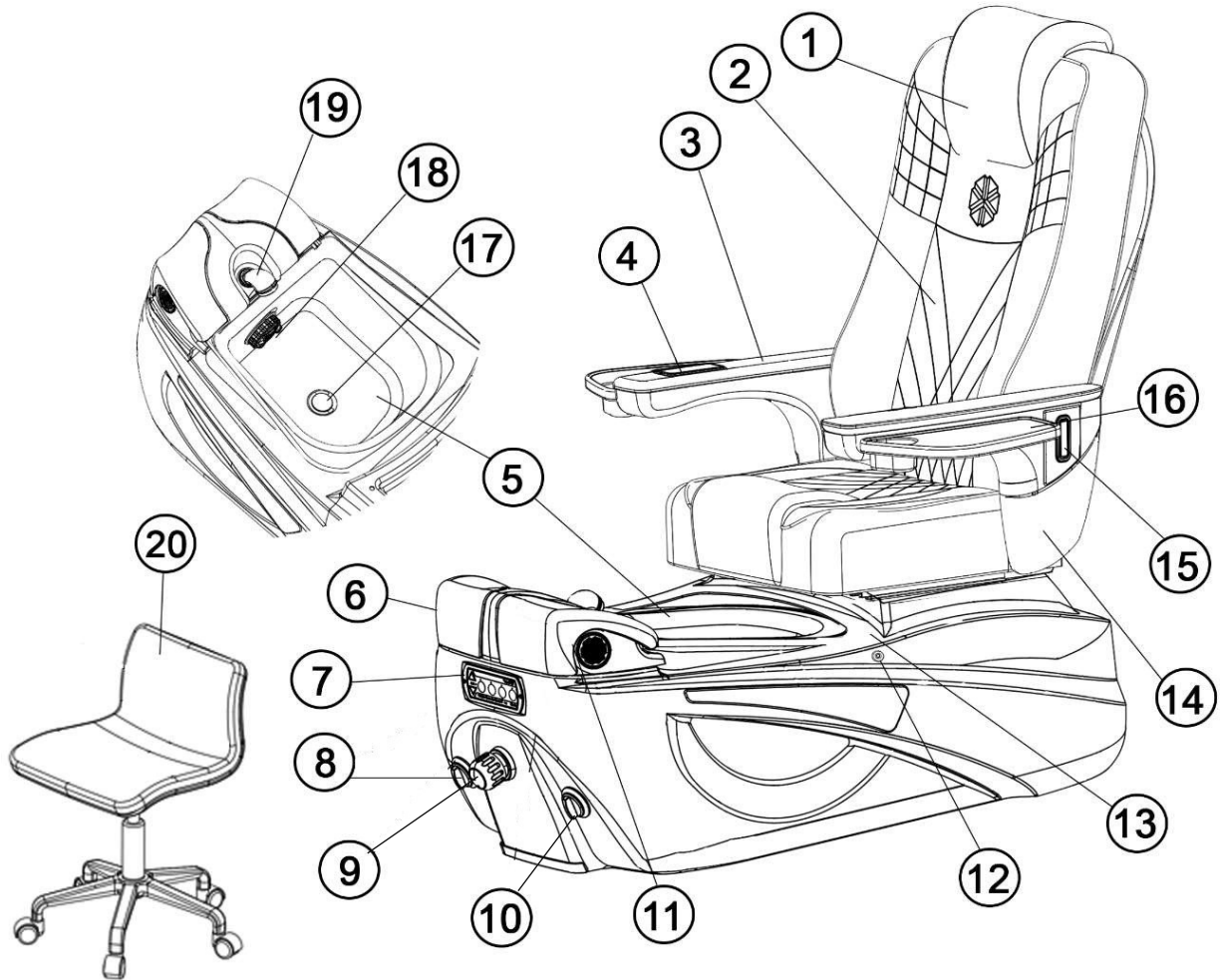
Spa (ngả ra sau hết cỡ): L=68" (172 cm)

Trọng lượng ghế: 220 lbs

Trọng lượng ghế khi vận chuyển: 230 lbs.

Trọng lượng ghế tối đa khi tháo dỡ: 220 lbs.

CÁC BỘ PHẦN CHÍNH CỦA DÒNG GHẾ LUMINOUS® MODEL



Ghế Pedicure Spa với hệ thống Massage

- | | |
|----------------------------------|---------------------------------|
| 1. Gối đầu | 11. Lỗ hút khí |
| 2. Nệm lưng với hệ thống Massage | 12. Đầu nối cho Air-Jet |
| 3. Tay ghế với nệm | 13. Móc Liner |
| 4. Điều khiển massage | 14. Tay vịn nâng lên / hạ xuống |
| 5. Chậu Aurora | 15. Móc giỏ xách |
| 6. Gối chân | 16. Khay làm móng tay |
| 7. Bảng điều khiển kỹ thuật số | 17. Bộ Air ring therma Jet |
| 8. Nắm vặn bộ xả nước | 18. Bộ ECOJET™ Magnetic drive |
| 9. Nắm vặn nước nóng/lạnh | 19. Vòi sen |
| 10. Nắm vặn Auto-fill/Jet | 20. Ghế kỹ thuật viên prive |

Kích thước và trọng lượng ghế Spa:

Spa (lưng ghế thẳng): L=66" (134 cm), W=31" (79 cm) W/Tray 48" (121 cm), H=56" (142 cm)

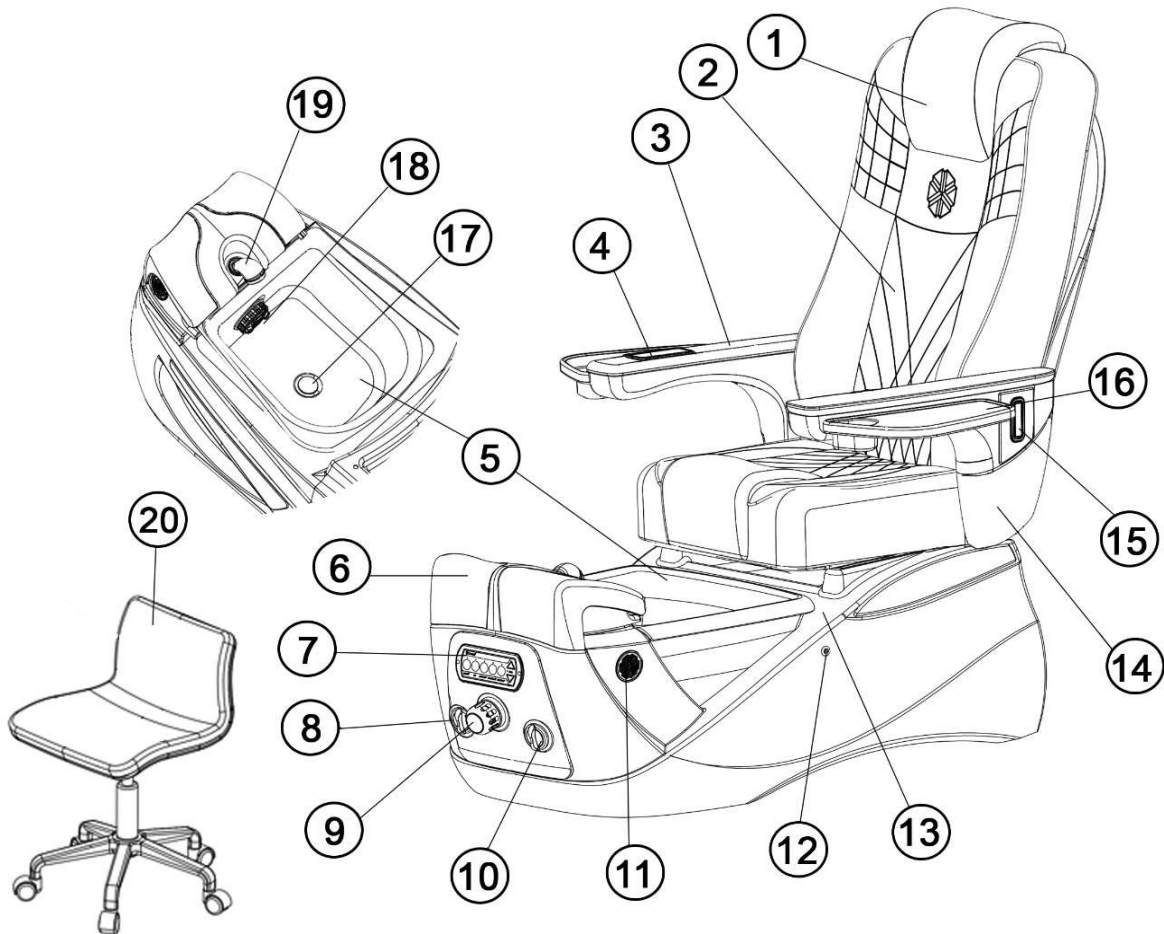
Spa (ngả ra sau hết cỡ): L=68" (172 cm)

Trọng lượng ghế: 220 lbs

Trọng lượng ghế khi vận chuyển: 230 lbs.

Trọng lượng ghế tối đa khi tháo dỡ: 220 lbs.

CÁC BỘ PHẦN CHÍNH CỦA DÒNG GHẾ INFINITY® MODEL



Ghế Pedicure Spa với hệ thống Massage

- | | |
|----------------------------------|---------------------------------|
| 1. Gối đầu | 11. Lỗ hút khí |
| 2. Nệm lưng với hệ thống Massage | 12. Đầu nối cho Air-Jet |
| 3. Tay ghế với nệm | 13. Móc Liner |
| 4. Điều khiển massage | 14. Tay vịn nâng lên / hạ xuống |
| 5. Chậu Aurora | 15. Móc giỏ xách |
| 6. Gối chân | 16. Khay làm móng tay |
| 7. Bảng điều khiển kỹ thuật số | 17. Bộ Air ring therma Jet |
| 8. Nắm vặn bộ xả nước | 18. Bộ ECOJET™ Magnetic drive |
| 9. Nắm vặn nước nóng/lạnh | 19. Vòi sen |
| 10. Nắm vặn Auto-fill/Jet | 20. Ghế kỹ thuật viên prive |

Kích thước và trọng lượng ghế Spa:

Spa (lưng ghế thẳng): L=66" (134 cm), W=31" (79 cm) W/Tray 48" (121 cm), H=56" (142 cm)

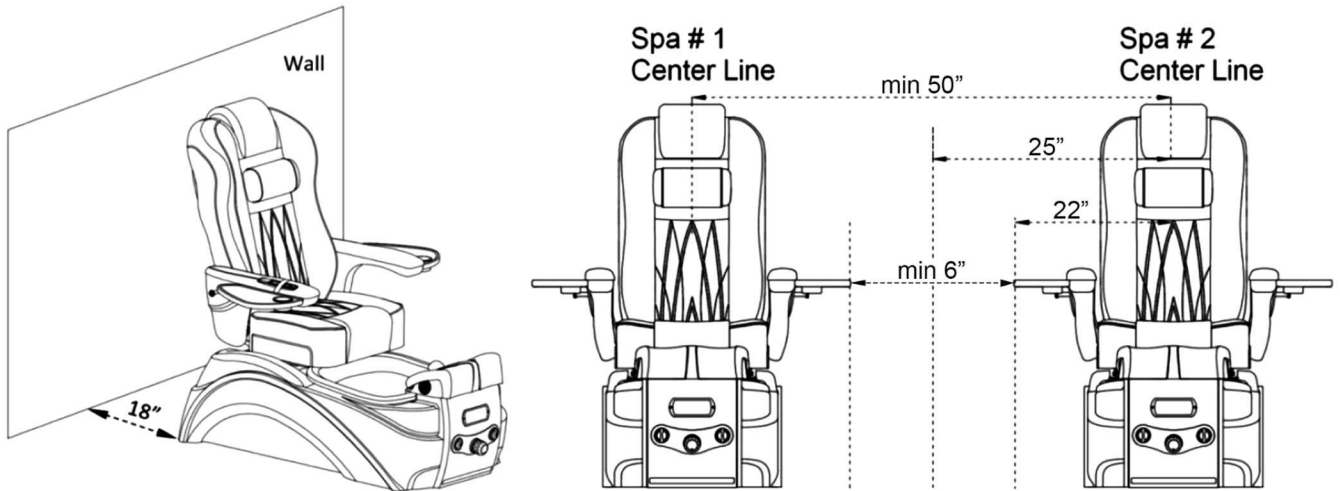
Spa (ngả ra sau hết cỡ): L=68" (172 cm)

Trọng lượng ghế: 220 lbs

Trọng lượng ghế khi vận chuyển: 230 lbs.

Trọng lượng ghế tối đa khi tháo dỡ: 220 lbs.

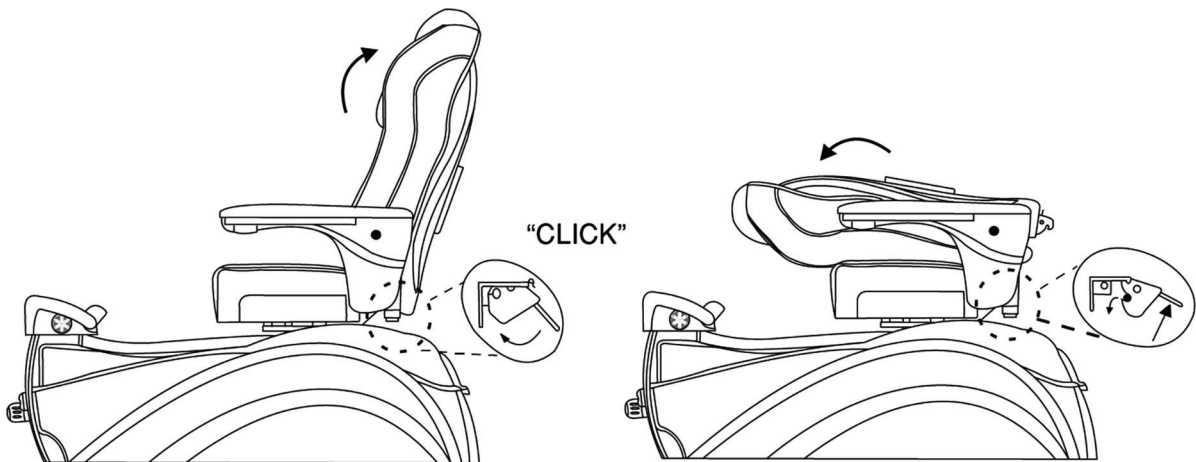
HƯỚNG DẪN KHOẢNG CÁCH ĐẶT GHẾ



RẤT QUAN TRỌNG: Khoảng cách tối thiểu giữa ghế spa và vách tường là 18 inch / 44 cm. Cần phải được tuân thủ để đủ khoảng cách cho lưng ghế và hệ thống ống nước không bị cản trở khi vận hành. Việc không tuân thủ theo điều kiện trên có thể dẫn đến việc hư hỏng nghiêm trọng với ghế Spa và không an toàn khi sử dụng.

HƯỚNG DẪN LẮP ĐẶT LƯNG GHẾ

1. GẬP MỞ LƯNG GHẾ MASSAGE

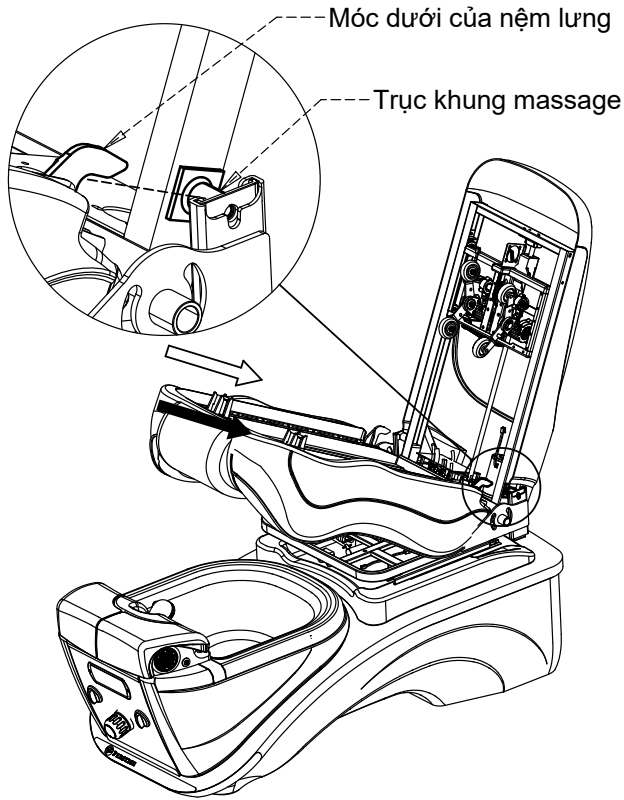


Nhấc lưng ghế lên cho đến khi nghe thấy tiếng "tách". Phải đảm bảo chốt khóa đã được khóa lại trước khi vận hành.

Để gập lưng ghế lại: Nâng chốt khóa lên và gập lưng ghế xuống.

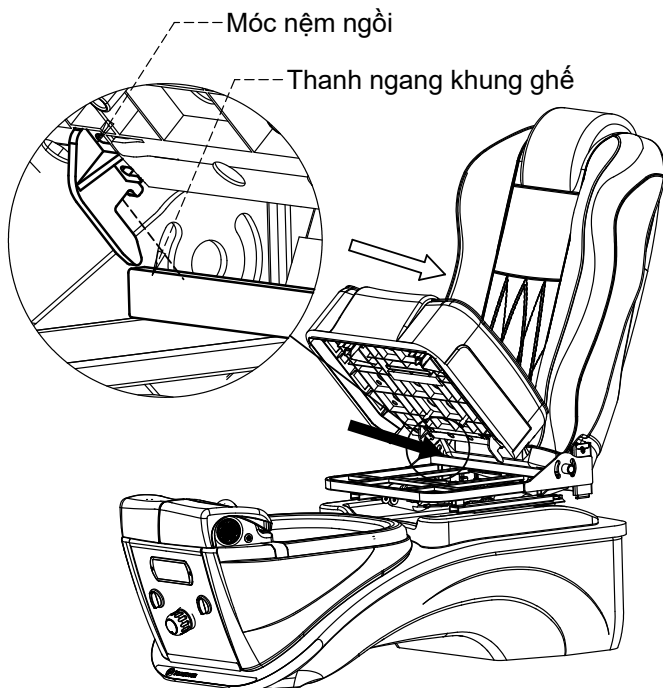
HƯỚNG DẪN LẮP ĐẶT NỆM GHẾ

Bước 1: Lắp nệm lưng bằng cách gắn 2 móc dưới của nệm vào trục trên khung massage.



Hình . 1

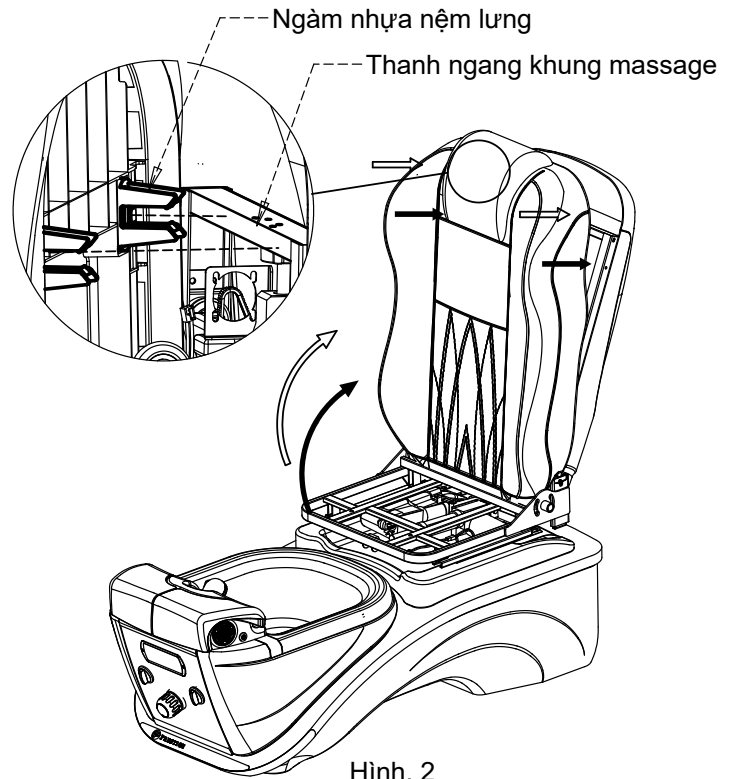
Bước 3: Lắp nệm ngồi bằng cách đặt 2 móc phía sau của nệm ngồi vào khung ghế.



Hình. 3

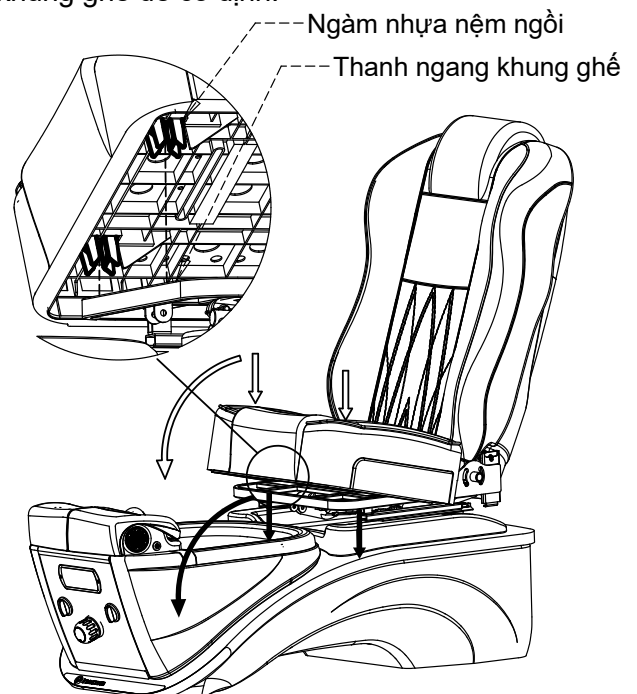
HƯỚNG DẪN LẮP ĐẶT

Bước 2: Định vị phía trên của nệm lưng, sau đó gắn ngàm nhựa của nệm lưng vào thanh ngang của khung massage, ấn chặt nệm lưng vào khung massage để cố định.



Hình. 2

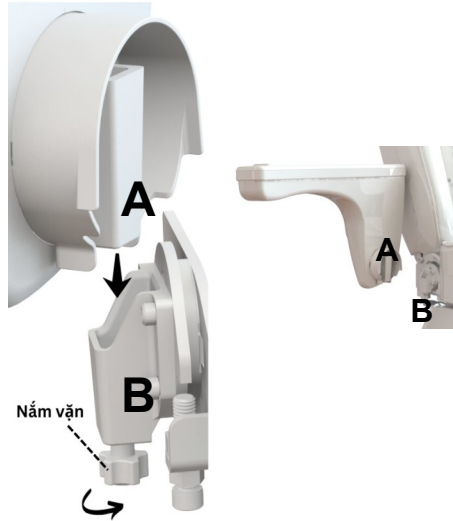
Bước 4: Xoay nệm ngồi xuống, sau đó lắp ngàm nhựa của nệm ngồi vào khung ghế. Ấn chặt nệm ghế vào khung ghế để cố định.



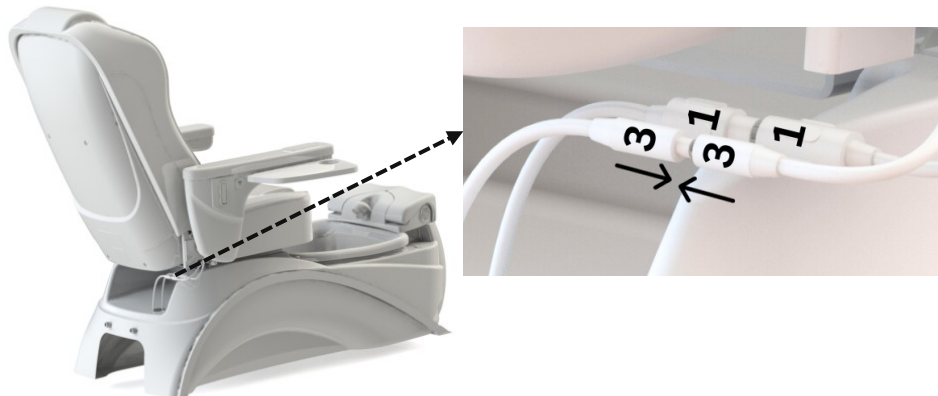
Hình. 4

LẮP RÁP TAY GHẾ

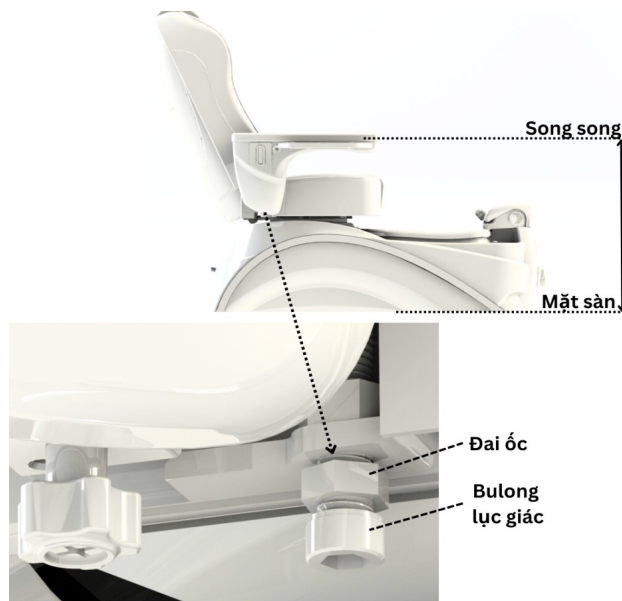
Bước 1: Lắp tay ghế bằng cách đưa chi tiết A vào chi tiết B và lắc nhẹ tay ghế trong khi xoay nắm vận theo chiều kim đồng hồ để cố định tay ghế.



Bước 2: Kết nối 2 đầu có dán nhãn "1" và 2 đầu có dán nhãn "3" lại với nhau (phía tay ghế phải).



Lưu ý: Nếu tay ghế không nằm song song với mặt sàn, ta có thể điều chỉnh bằng cách vặn bulong ở phía dưới của khung bàn ngồi. Sau khi điều chỉnh, siết đai ốc để khóa.



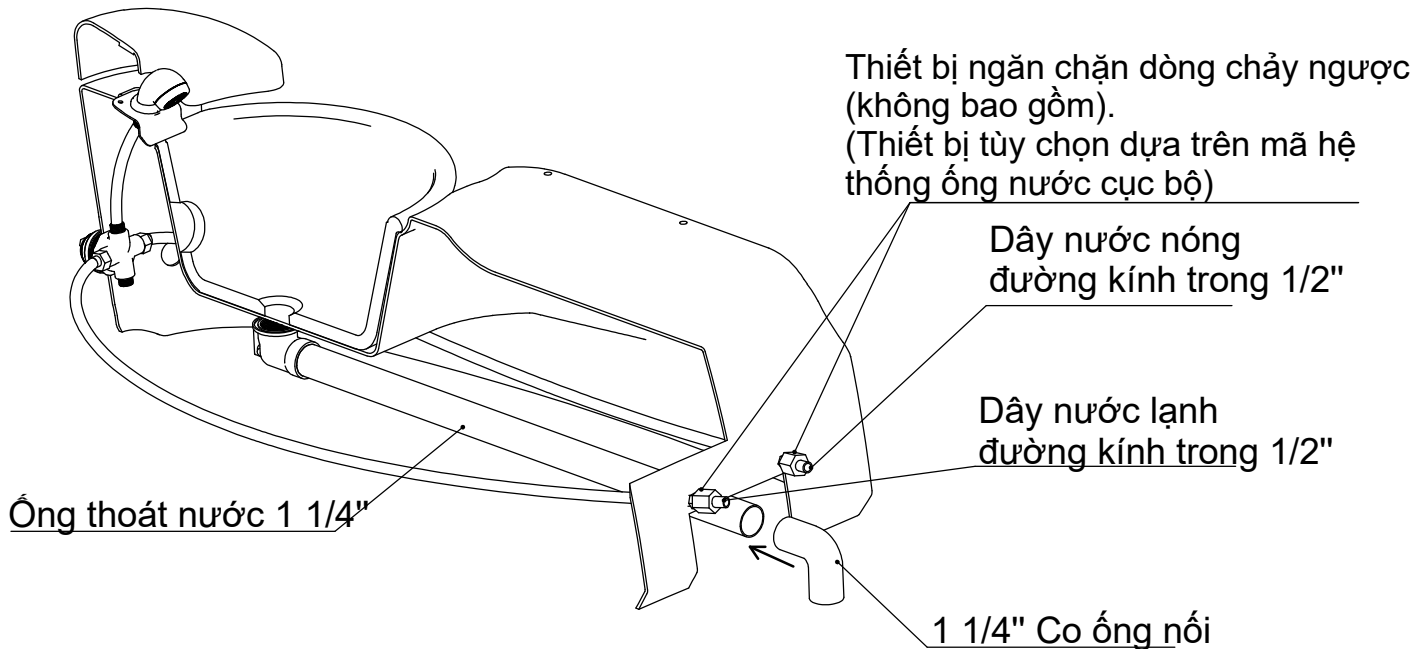
LẮP ĐẶT HỆ THỐNG THOÁT NƯỚC

LƯU Ý: Việc lắp đặt hệ thống thoát nước và cấp nước phải được thi công với thợ ống nước có bằng hành nghề. Chi tiết hướng dẫn có thể được tìm thấy trong sách hướng dẫn. Hướng dẫn và mã hệ thống ống nước cần phải được tuân thủ tuyệt đối để được phê chuẩn kiểm tra của thành phố.

1. HỆ THỐNG THOÁT NƯỚC TỰ CHẢY

THOÁT NƯỚC TỰ CHẢY

Ống mềm dễ uốn 1-1/4" với đầu nối có thể tháo rời, được cung cấp để dễ dàng lắp đặt.



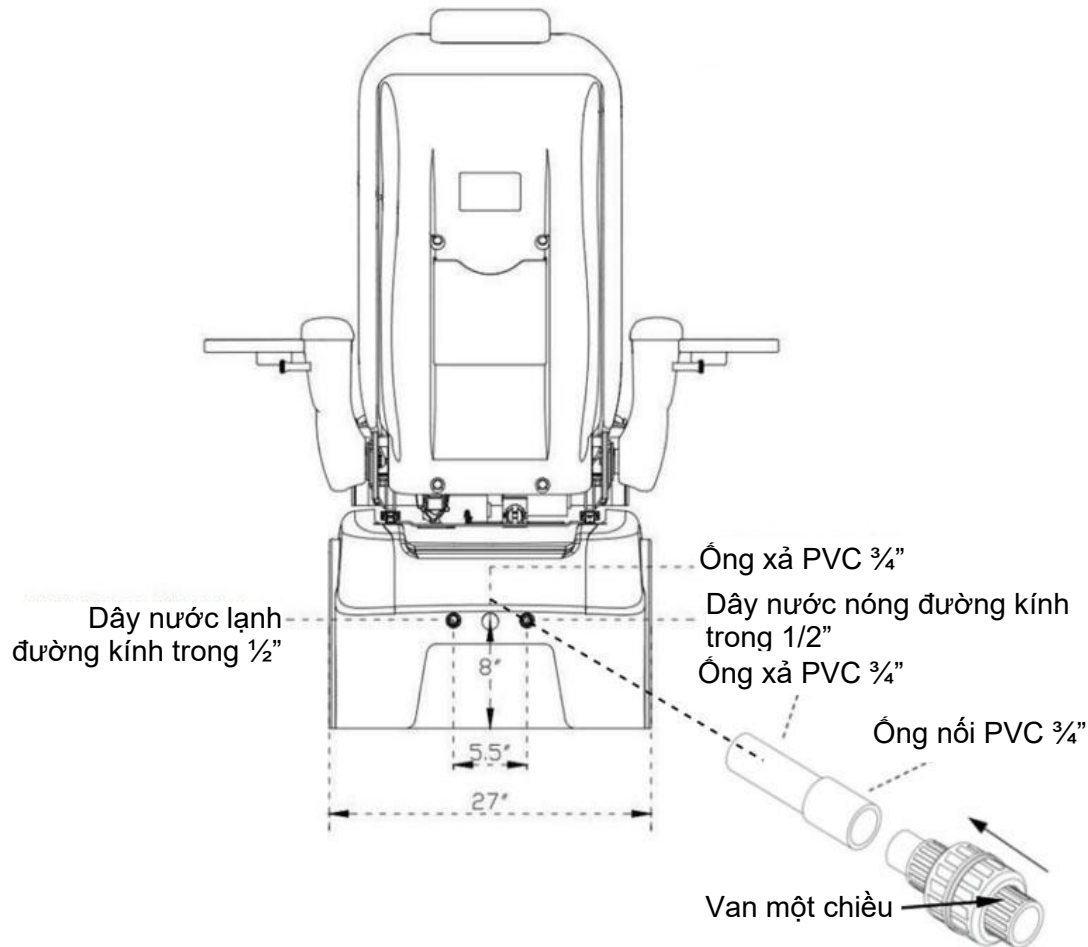
Việc lắp đặt hệ thống thoát nước tự chảy phải tuân theo MỤC 701.0, 2018 UPC.

P-trap, lỗ thông hơi và đầu nối phải tuân theo MỤC 1001.1 và 1001.2 UPC.

Các quốc gia không áp dụng UPC cần phải tuân thủ một mã thay thế.

- Hệ thống thoát nước: MỤC 701.2 và 702.2 IPC (hoặc mã đường ống dẫn nước địa phương).
- P-trap, lỗ thông hơi và đầu nối: MỤC 1002.1 và 1002.2 IPC (hoặc mã đường ống dẫn nước cục bộ).

Người lắp đặt/thợ sửa ống nước có trách nhiệm thu thập và tuân thủ mã hệ thống nước địa phương để kiểm tra. Nếu cần bất kỳ hỗ trợ nào từ phía nhà cung cấp, vui lòng liên hệ với bộ phận dịch vụ khách hàng của chúng tôi.

2. HỆ THỐNG THOÁT NƯỚC BẰNG BƠM

Việc lắp đặt hệ thống bơm thoát nước phải tuân theo MỤC 807.1, 2018 UPC.

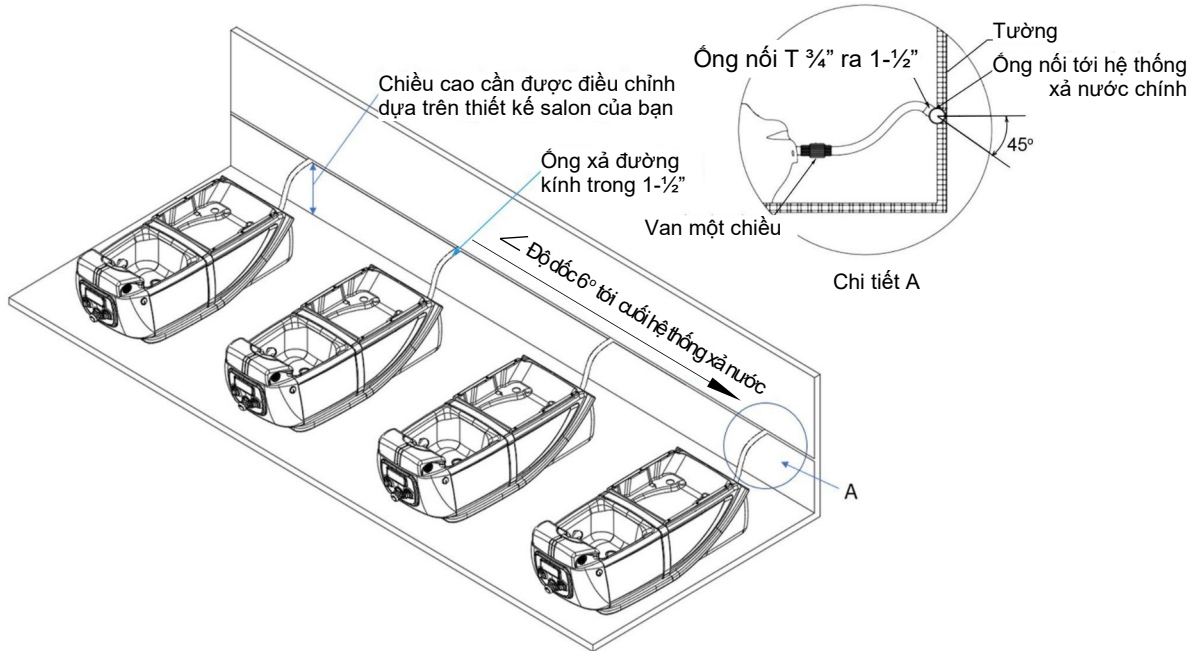
P-trap, lỗ thông hơi và đầu nối phải tuân theo MỤC 1001.1 và 1001.2 UPC.

Các quốc gia không áp dụng UPC cần phải tuân thủ một mã thay thế.

- Hệ thống thoát nước: MỤC 701.2 và 702.2 IPC (hoặc mã đường ống dẫn nước địa phương).
- P-trap, lỗ thông hơi và đầu nối: MỤC 1002.1 và 1002.2 IPC (hoặc mã đường ống dẫn nước cục bộ).

Người lắp đặt hoặc thợ sửa ống nước có trách nhiệm thu thập và tuân thủ mã hệ thống ống nước địa phương để kiểm tra. Nếu cần bất kỳ hỗ trợ nào từ phía nhà cung cấp, vui lòng liên hệ với bộ phận dịch vụ khách hàng của chúng tôi.

3. KHUYẾN NGHỊ HỆ THỐNG THOÁT NƯỚC



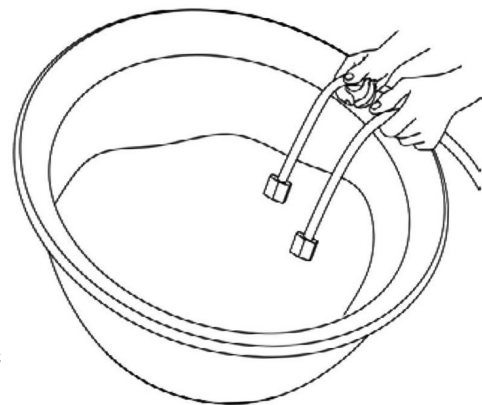
4. HỆ THỐNG CẤP NƯỚC NÓNG / LẠNH

Lưu ý: Việc lắp đặt hệ thống thoát nước và cấp nước phải được thi công bởi thợ ống nước có giấy phép hành nghề. Hướng dẫn và mã hệ thống ống nước cần được tuân thủ cẩn thận để được phê chuẩn kiểm tra của thành phố.

Các công trình xây dựng mới: Xả một lượng nước trong một cái xô để loại bỏ tất cả các mảnh vụn từ ống nước nóng/lạnh trước khi kết nối với ghế spa mới (Hình 1).

Spa thay thế: Đảm bảo sử dụng ống nước nóng/lạnh mới để thay thế ống cũ trước khi lắp đặt ghế spa mới. Các mảnh vụn, cao su hoặc vụn nhựa cũ có thể làm tắc nghẽn hệ thống nước đầu vào.

** Nếu không làm theo hướng dẫn sẽ không được xác nhận bảo hành.



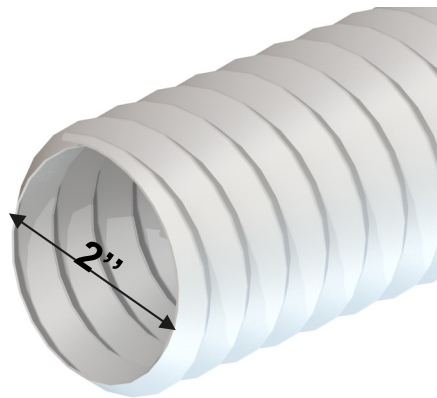
Hình 1. Xả nước để loại bỏ cặn bẩn trước khi lắp đặt ghế spa mới.

LẮP ĐẶT HỆ THỐNG THÔNG KHÍ (TÙY CHỌN)

(Ghế Spa đi kèm với một hệ thống thông gió được lắp đặt sẵn theo một số quy định của tiểu bang. Mỗi tiểu bang có thể có một số quy định khác nhau. Vui lòng liên hệ với các cơ quan ở tiểu bang của bạn để biết thêm về các yêu cầu và quy định đó).



Kéo giãn ống thông khí nằm bên trong bồn ra để kết nối với hệ thống thông khí của tiệm khi có nhu cầu.



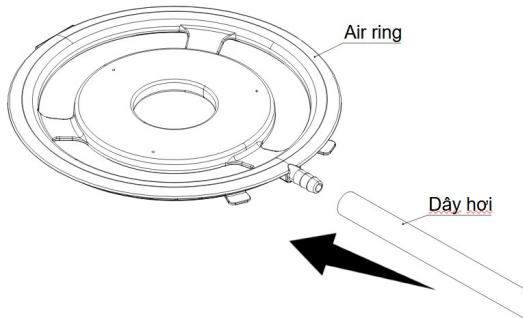
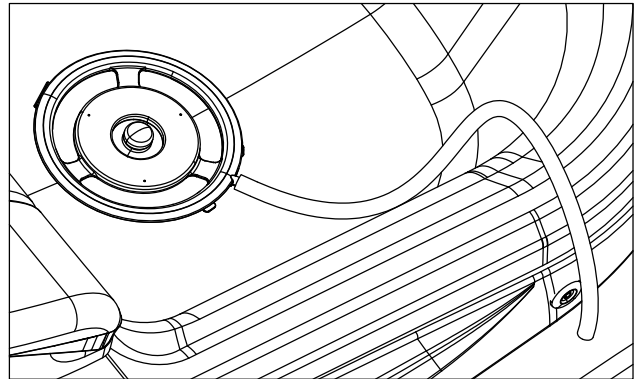
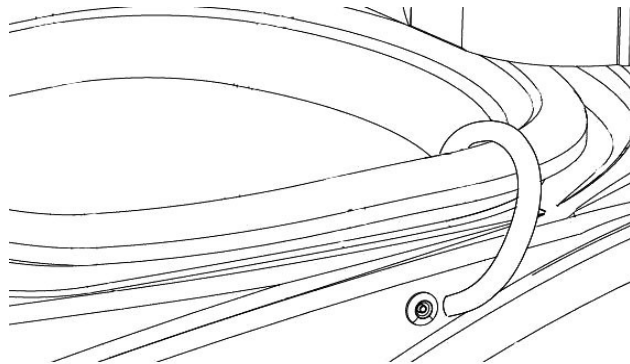
THÔNG SỐ VỀ ĐIỆN VÀ LINH KIỆN GHẾ SPA

Tất cả các nối điện PHẢI do kỹ thuật viên về điện thực hiện theo các quy định về điện và xây dựng ở địa phương.



CẢNH BÁO:
ĐIỀU NÀY VÔ CÙNG QUAN TRỌNG, GHẾ CỦA BẠN PHẢI ĐƯỢC VẬN HÀNH VỚI ĐIỀU KIỆN SỬ DỤNG THIẾT BỊ NGẮT ĐIỆN GFCI. THIẾT BỊ GFCI 110V-50/60 Hz 15 Amp BẮT BUỘC PHẢI ĐƯỢC SỬ DỤNG.

THÔNG SỐ	
Kích thước và trọng lượng ghế Spa	Xem trang 2-6 để biết thông số kích thước trọng, trọng lượng của từng ghế Spa.
Ghế kỹ thuật viên	Ghế KTV làm móng chân: 12” – 13”. Ghế KTV làm móng tay: 16.25” – 20”
Dung tích nước	~ 4 US Gallon
Động cơ của Jet	120 VAC. 85W 60Hz
Động cơ massage, benz trượt bàn ngồi- ngả lưng	24VDC, 120W Max
Bơm xả	Động cơ –120V công suất 85W 60 Hz. Nâng tối đa:3ft. Hệ số lưu lượng 400 GPH @ floor level
Bơm hơi	120V 70W 60Hz
Lưu lượng hơi	50 cfm
Nguồn điện	115 VAC, 60HZ, 15A. Nguồn cần cho mỗi ghế = 7 Amp
Nút điện	Một (1) nút điện cơ đánh nước. Định mức 5A. Một (1) nút điện cơ xả. Định mức 5A
Chứng nhận an toàn	Ghế Spa được UL chứng nhận.

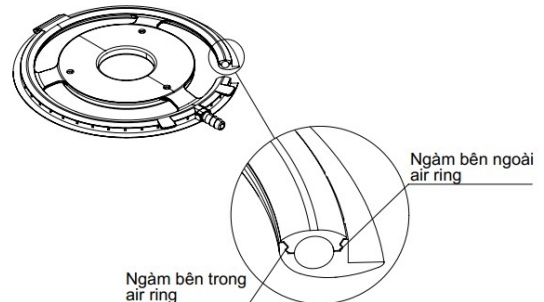
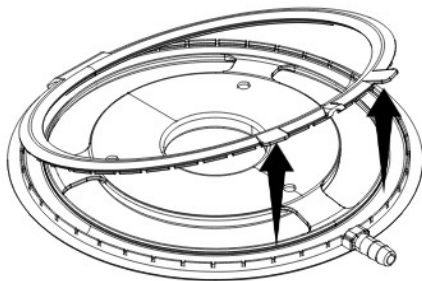
THIẾT LẬP TRƯỚC KHI VẬN HÀNH**1. THIẾT LẬP HỆ THỐNG XÔNG HƠI****Bước 1:** Lắp dây hơi vào air ring.**Bước 2:** Đặt air ring vào chậu.**Bước 3:** Cắm đầu ống còn lại vào đầu nối dẫn khí.**Lưu ý:** Cách mở air ring vệ sinh và lắp lại với nhau:**- Cách mở:**

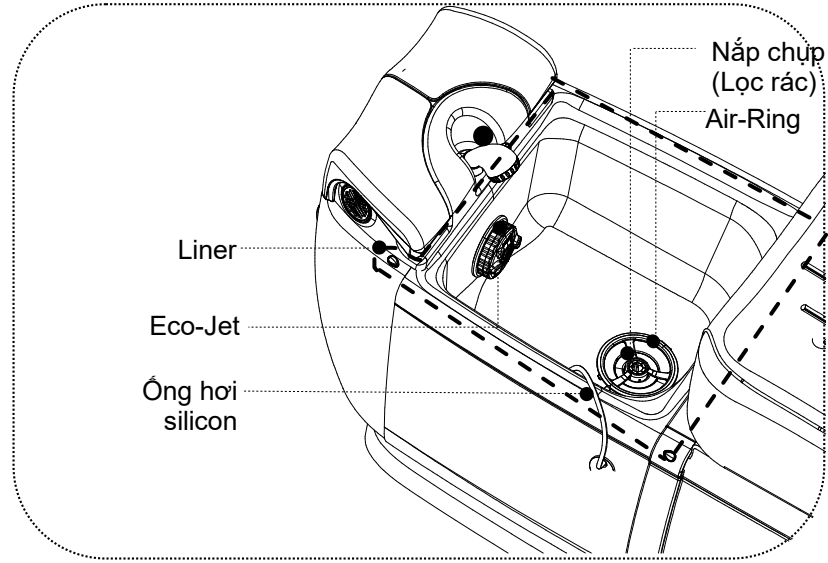
Nắm 1 trong 2 tai của air ring rồi kéo cho 2 phần tách ra.

- Cách lắp:

Gá 2 phần air ring lại với nhau theo hướng tự nhiên của bản lề. Sau đó ấn xung quanh cho các ngàm ăn khớp với nhau.

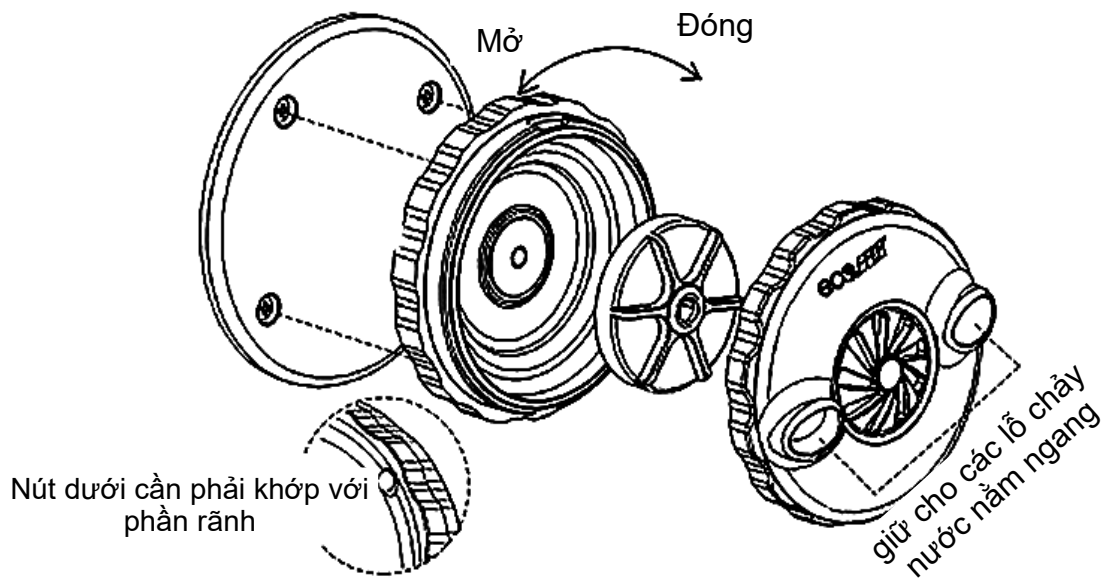
(ấn ngàm bên trong ăn khớp trước rồi mới ấn ngàm bên ngoài của air ring).



THIẾT LẬP TRƯỚC KHI VẬN HÀNH

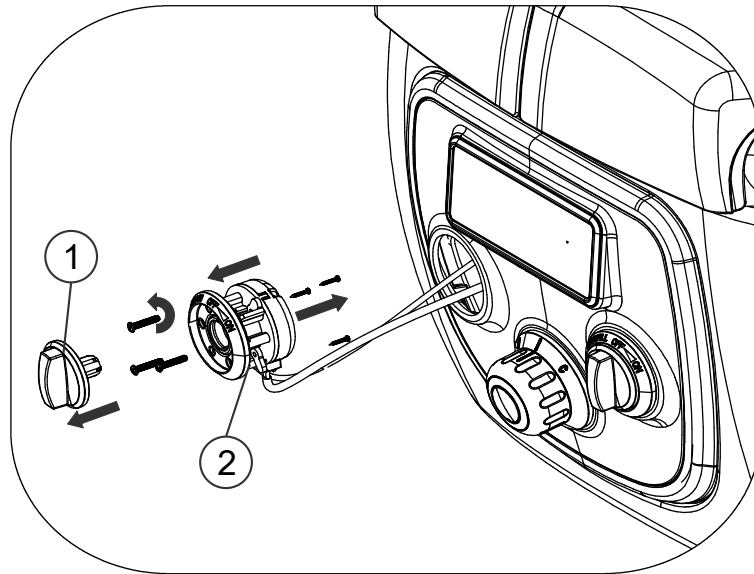
Hệ thống nên được thiết lập như hình trên trước mỗi lần sử dụng dịch vụ.

(Vị trí của đầu nối ống hơi khác nhau ở các loại ghế Spa. Tham khảo trang 2-6 để xác định vị trí).

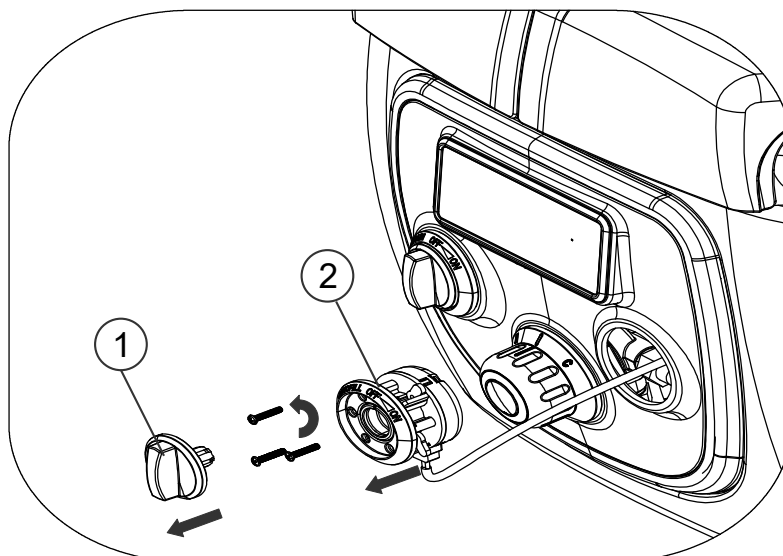
2. THIẾT LẬP ECO-JET

THÁO NẮM VẶN BỘ XẢ NƯỚC VÀ NẮM VẶN AUTO-FILL/JET.**1. THÁO NẮM VẶN BỘ XẢ NƯỚC.**

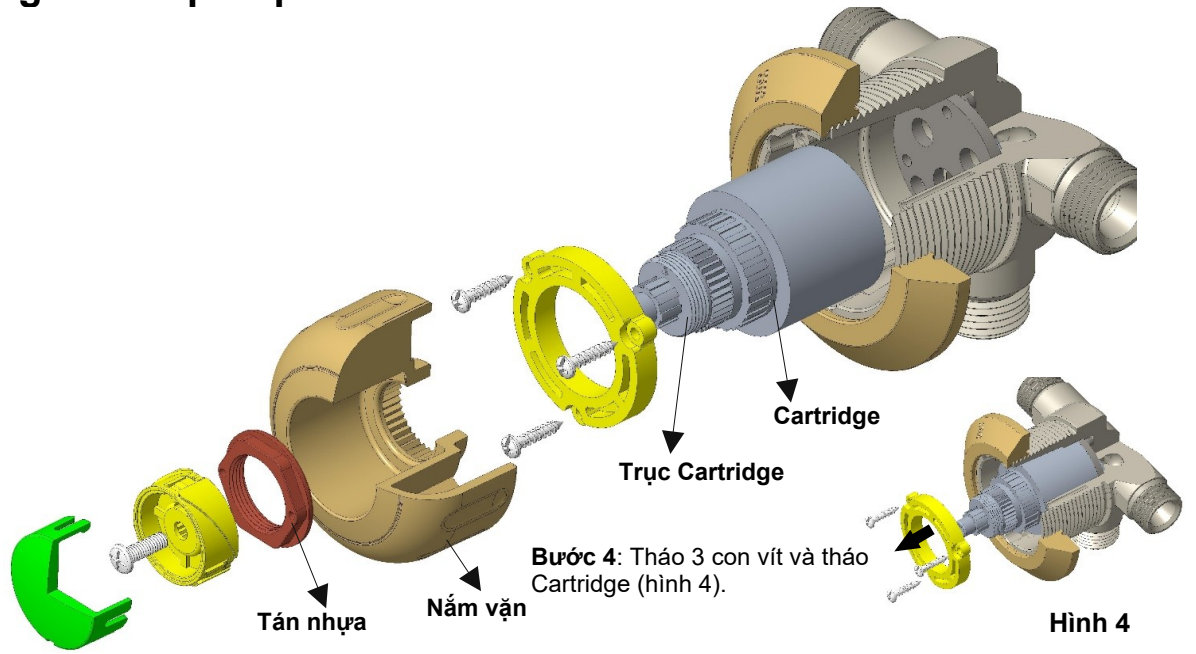
- **Bước 1.** Kéo chi tiết 1 ra.
- **Bước 2.** Nới lỏng (không tháo rời) 3 con vít màu đen (**chú ý: có 3 con vít màu đen nằm xen kẽ với 3 con vít màu trắng**). Sau đó, lấy chi tiết 2 ra khỏi mặt nạ.
- **Bước 3.** Tháo 3 con vít phía sau của chi tiết 2 để tháo nắp che.
- **Bước 4.** Rút dây kết nối tín hiệu và gỡ dây cáp.

**2. THÁO NẮM VẶN AUTO-FILL/JET.**

- **Bước 1.** Kéo chi tiết 1 ra.
- **Bước 2.** Nới lỏng (không tháo rời) 3 con vít màu đen. (**Chú ý: có 3 con vít màu đen nằm xen kẽ với 3 con vít màu trắng**). Sau đó, lấy chi tiết 2 ra khỏi mặt nạ.
- **Bước 3.** Gỡ dây kết nối tín hiệu.



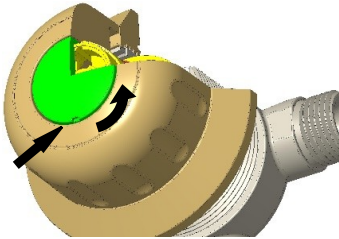
Hướng Dẫn Lắp Ráp Faucet



Bước 4: Tháo 3 con vít và tháo Cartridge (hình 4).

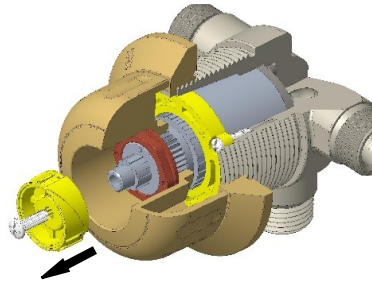
Hình 4

Bước 1: Để mở nắp, dùng một vật nhọn (đầu bút, đầu tăm...) đặt vào rãnh của nắp và xoay ngược chiều kim đồng hồ (hình 1).



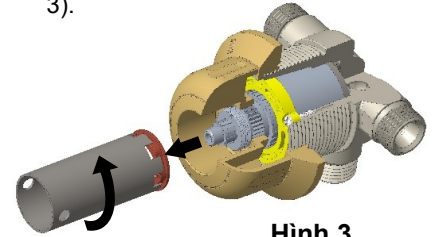
Hình 1

Bước 2: Tháo vít và tháo nút nhấn (hình 2).



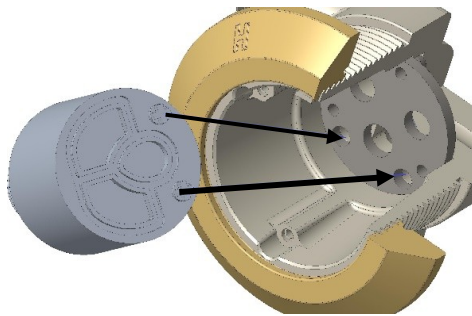
Hình 2

Bước 3: Đưa dụng cụ vào thân Faucet để tháo tán nhựa và nắm vặn (xoay ngược chiều kim đồng hồ) (hình 3).



Hình 3

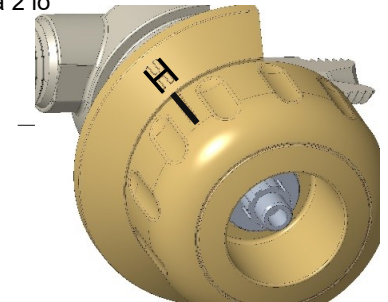
Bước 5: Khi thay Cartridge mới. Chú ý 2 chốt và 2 lỗ (hình 5), phải được lắp đúng vị trí để tránh rò rỉ nước.



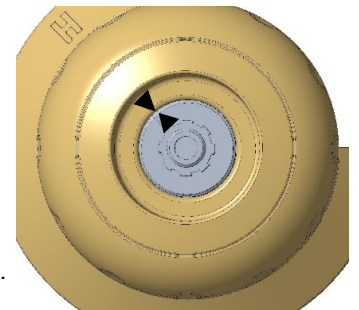
Hình 5

Bước 6: Lắp Cartridge vào thân Faucet như ở bước 5.

- Làm ngược lại bước 4 bằng cách lắp cartridge và 3 con vít.
- Xoay từ từ nắm vặn Cartridge sang hết bên trái "H" (nhìn hình 6.1) hoặc mũi tên bên trong nắm vặn phải trùng với mũi tên có trên Cartridge (xem hình 6.2).
- Lắp nắm vặn sao cho vạch nằm trên núm trùng với chữ "H" trên thân van và làm ngược lại bước 3 để cố định chúng.
- Làm ngược lại bước 2 để lắp nút nhấn.
- Làm ngược lại bước 1 để lắp nắp nút nhấn.



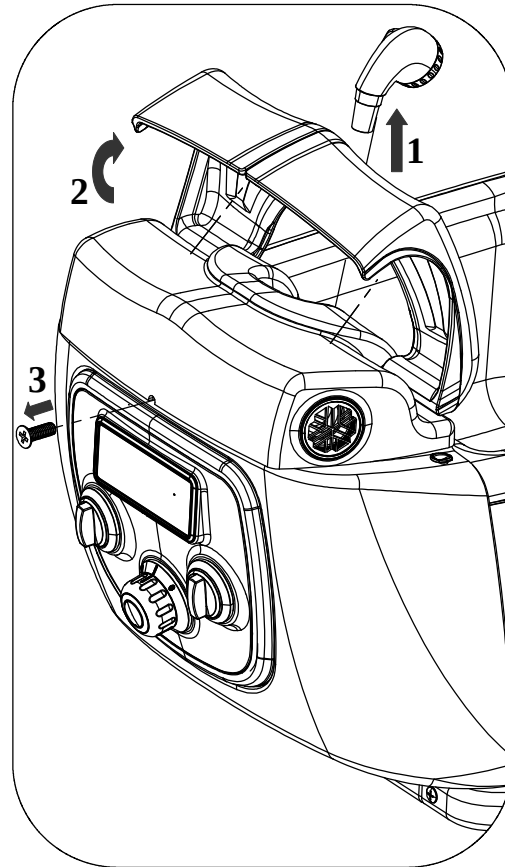
Hình 6.1



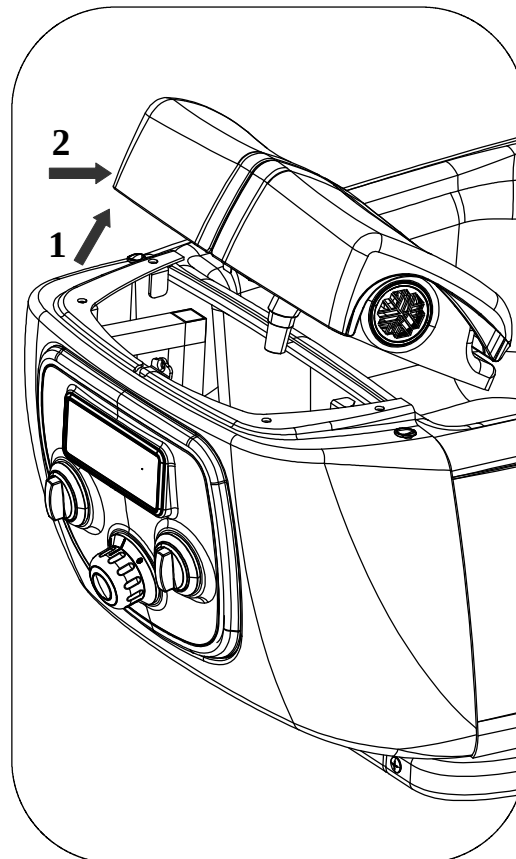
Hình 6.2

THẢO GỐI CHÂN**BƯỚC 1.**

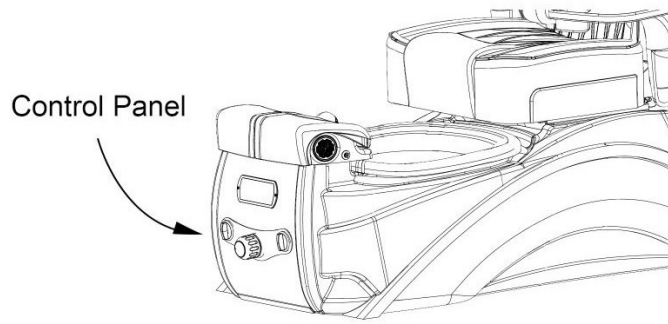
1. Rút vòi nước lên và tháo vòi nước. Lưu ý tránh không để ống nước rơi vào trong bồn.
2. Nâng gối chân lên.
3. Tháo vít ở phía trước.

**BƯỚC 2.**

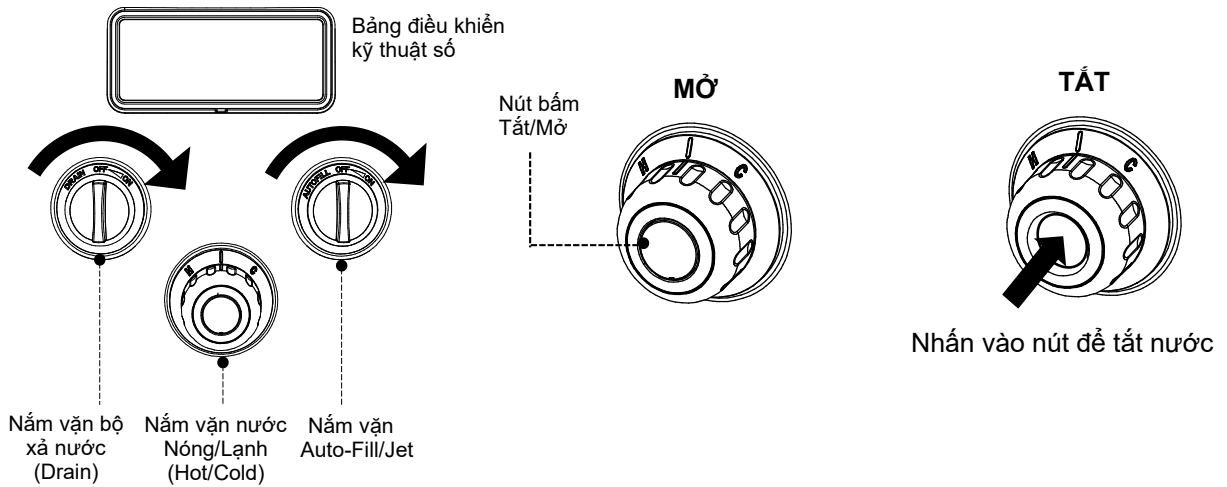
- Nhấc toàn bộ đầu trước gối chân lên và đẩy về phía sau.



VẬN HÀNH AUTO-FILL / JET SWITCH



Vị trí bảng điều khiển ở phía trước đế Spa. Tham khảo bảng hướng dẫn của ghế trang 2-6 để xác định vị trí.



- Xoay nắm vặn Auto-Fill/Jet theo chiều kim đồng hồ và thả ra để cho nước vào và khởi động hệ thống Auto-Fill. Nước sẽ tự động tắt khi nó đạt đến mức cảm biến nước.
- Vặn thêm lần nữa công tắc Auto-Fill/Jet để tắt bơm nước (đồng thời tắt Eco-Jet).
- Vặn nắm bộ xả nước (Drain) theo chiều kim đồng hồ để bắt đầu xả. Vặn lại khi xả nước xong.
- Sử dụng nắm vặn nước Nóng/Lạnh (Hot/Cold) để điều chỉnh nhiệt độ nước theo cách thủ công.
- Nhấn nút trên nắm vặn nước Nóng/Lạnh để Bật/Tắt van nước chính.

***** Nắm điều chỉnh nước Nóng/Lạnh nên tắt vào cuối ngày để ngăn ngừa rò rỉ nước.**



- Theo mặc định, Eco-Jet sẽ tự động bật khi mực nước đầy. Để tắt Eco-Jet, nhấn vào nút "Whirlpool" trên bảng điều khiển hoặc xoay nắm vặn Auto-Fill /Jet.

***** PHẢI TẮT ECO-JET TRƯỚC KHI XẢ NƯỚC RA NGOÀI BỒN NẾU KHÔNG THIẾT BỊ SẼ HƯ HỎNG.**

VẬN HÀNH BẢNG ĐIỀU KHIỂN KỸ THUẬT SỐ



- Đèn tự động sáng cùng với hệ thống Autofill khi Eco-jet được kích hoạt và tắt khi Eco-Jet ngắt.
- **On:** Nhấn nút "Aurora"
- **Chọn màu:** Nhấn màu muốn chọn (một vòng lặp của 8 kiểu màu và kết thúc là tắt).
- **Off:** Nhấn và giữ 2 giây.

- ❖ Đèn LED Xanh/Trắng cho biết trạng thái làm việc hiện tại.
- ❖ Cài đặt cho Dual-Jet:
 - Theo mặc định, Eco-jet tự động bật với Auto-fill. Nhấp vào nút "WhirlPool" để bật/tắt.
 - Nhấp vào nút "Air-Jet" để bật/tắt Air-jet.
 - Khi quá trình xả nước bắt đầu, chế độ phun hơi và chế độ Eco-jet sẽ tự động tắt. Các cài đặt sẽ được ghi nhớ cho phần tiếp theo. Khi hệ thống khởi động lại, động cơ Jet sẽ tự động bật khi phần cuối cùng kết thúc.



CẢNH BÁO:
KHÔNG BẬT "MỞ" ECO-JET MÀ KHÔNG CÓ NƯỚC TRONG CHẬU, VÌ NÓ CÓ THỂ LÀM HƯ HẠI JET VÀ GÂY TIẾNG ÒN.



CẢNH BÁO:
KHÔNG BẬT "MỞ" MÁY BƠM THOÁT NƯỚC NẾU KHÔNG CÓ NƯỚC TRONG CHẬU. BẢO HÀNH BỊ HỦY BỎ NẾU MÁY BƠM CHẠY KHÔ.

THIẾT LẬP CẢM BIẾN NƯỚC VÀ MỨC NƯỚC



- Cần phải chỉnh lại cảm biến nước khi mực nước nằm ngoài phạm vi.

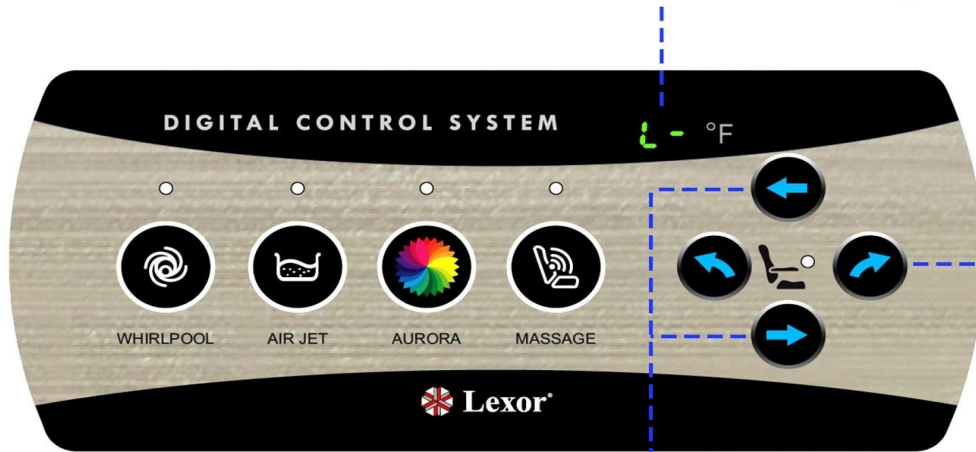
**** Ghi chú :**


- Thao tác này cũng sẽ chỉnh lại mực nước về mặc định = 3.
- Nên bấm chậm
- Nhấn và giữ nút “Whirlpool” trong 3 giây để hệ thống tiếp tục hoạt động hoặc hệ thống sẽ được tự động tiếp tục nếu không có thao tác nào được thực hiện sau 20 giây.

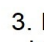
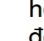
1. Nhấn và giữ trong 3 giây. Đèn LED sẽ hiển thị “CAL”
Tiếp tục nhấn nút cho đến khi xuất hiện “ADJ” trên màn hình.



2. Đèn LED sẽ hiển thị “ L-”



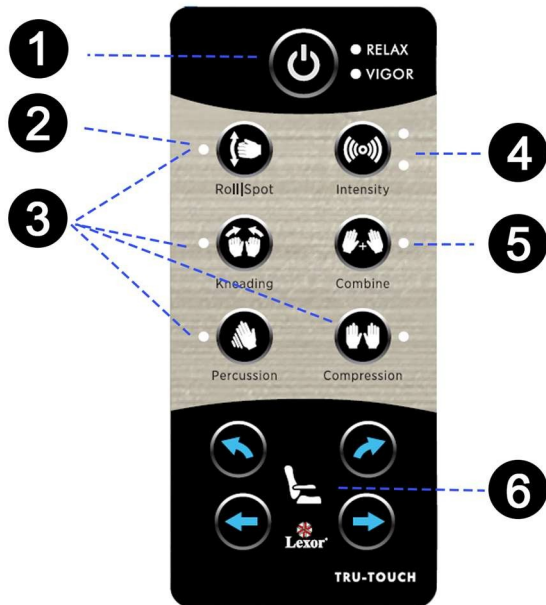
4. Nhấn  để xác nhận:
- “ L-x ” sẽ nhấp nháy nếu thành công (x = 1: 5)
- Không nhấp nháy nếu thất bại


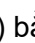
3. Nhấn  hoặc  để tăng hoặc giảm mực nước, trong đó 1 là mức thấp nhất và 5 là mức cao nhất

**** Ghi chú :**

- Nên bấm chậm.
- Nhấn và giữ nút “Whirlpool” trong 3 giây để tiếp tục hoạt động hệ thống hoặc hệ thống sẽ được tự động tiếp tục nếu không có thao tác nào được thực hiện sau 20 giây.

HỆ THỐNG MASSAGE & BỘ ĐIỀU KHIỂN



1. Nhấn nút  để bắt đầu chế độ tự động massage. Trong 10 giây kể từ lúc khởi động sẽ có 2 lựa chọn. (Relax/Vigor) bằng cách nhấn nút  thêm 1 lần nữa.
2. Nhấn nút “Rolling/Spot” để dừng cuộn Lên/Xuống và dừng ở vị trí mong muốn.
3. Nhấn bất kỳ nút (Rolling/Spot, Kneading, Tapping, Combine) để nhập chế độ thủ công.
4. Nhấn nút “Intensity” để chọn cường độ đánh.
5. Nút “Combine” để chọn kết hợp các chế độ.
6. Nhấn bất kỳ nút nào trên ghế (Ngả sau, Ngả trước, Lùi, Tiến,) để di chuyển ghế đến vị trí mong muốn.

**CẢNH BÁO:**

BẠN PHẢI THAM KHẢO CÁC QUY ĐỊNH CỦA ĐỊA PHƯƠNG VÀ TIỂU BANG VỀ NGUYÊN LIỆU VỆ SINH TẮY RỬA. VIỆC NGÂM CHẬU QUA ĐÊM TRONG MỘT LƯỢNG LỚN DUNG DỊCH CHLORINE CÓ THỂ LÀM HƯ HẠI PHẦN NHỰA CỦA CHẬU

QUY TRÌNH VỆ SINH PHẢI THEO YÊU CẦU CỦA HỘI ĐỒNG QUẢN LÝ NGÀNH TÓC VÀ THẨM MỸ (BUREAU OF BARBERING & COSMETOLOGY) CỦA RIÊNG MỖI TIỂU BANG.

Lưu ý: * Mỗi ghé Spa chăm sóc móng chân phải ghi nhận ký vệ sinh *****

Mỗi tiểu bang sẽ có một số khác biệt về phương pháp vệ sinh, bạn vui lòng tham khảo hội đồng quản lý ngành cắt tóc và thẩm mỹ (bureau of barbering and cosmetology) hoặc cơ quan quản lý của tiểu bang để biết thêm thông tin chi tiết.

Khuyến cáo an toàn khi sử dụng ghé Spa

Hội đồng quản lý ngành tóc và thẩm mỹ yêu cầu các salon sử dụng hệ thống đánh nước massage chân phải tuân theo các quy trình vệ sinh để đảm bảo được việc vệ sinh và bảo trì các thiết bị đúng cách và cũng để ngăn chặn các loại vi khuẩn hoặc bệnh kí sinh trùng.

Nếu không thực hiện theo các quy định này, bạn có thể sẽ bị nhận phí phạt hoặc thực hiện hình thức kỷ luật. Mỗi ghé vi phạm sẽ bị xử lý phạt riêng theo từng ghé một.

CHÚ Ý: Trích dẫn: Mục 7312, luật kinh doanh và nghề nghiệp (business and profession code). Tham khảo: Mục 7312 (e), luật kinh doanh và nghề nghiệp.

Bên dưới là những đề nghị quy trình vệ sinh gợi ý cho ghé Spa của bạn:

Sau mỗi khách hàng

1. Nước phải được xả hết và cặn bẩn phải được loại bỏ ra khỏi chậu.
2. Chậu phải được vệ sinh bằng xà phòng hoặc chất tẩy rửa cùng với nước.
3. Chậu phải được vệ sinh bằng dung dịch tẩy rửa đã được đăng ký với EPA với phương thức hoạt động của từng loại vi khuẩn, nấm và vi rút được minh họa theo sự hướng dẫn của nhà sản xuất.
4. Chậu phải được lau lại bằng khăn sạch.

Vào cuôi mỗi ngày

1. Các nắp hoặc lưới lọc phải được lấy ra, tất cả cặn bẩn mắc kẹt lại phía sau lưới lọc phải được loại bỏ và vòi cấp nước phải được vệ sinh bằng xà phòng hoặc dung dịch tẩy rửa cùng với nước.
2. Trước khi thay đổi, lưới lọc phải được ngâm hoàn toàn vào dung dịch tẩy rửa đã được đăng ký với EPA với phương thức hoạt động của từng loại vi khuẩn, nấm và vi rút được minh họa theo sự hướng dẫn của nhà sản xuất.
3. Hệ thống ghé spa phải được rửa sạch bằng xà phòng và nước ấm ít nhất là 10 phút, sau đó ghé sẽ được súc rửa và xả nước bẩn đi.

Ít nhất một lần mỗi tuần

1. Cho nước ấm vào đầy chậu cùng với 1 thìa dung dịch tẩy (gồm có nước và chlorine, trong đó 5.25% là chất tẩy chlorine), hoặc dung dịch tẩy Sodium Hypochlorite 50 mg/l theo hướng dẫn của nhà sản xuất.
2. Hệ thống ghé Spa phải được tẩy rửa với dung dịch nước và chất tẩy, hoặc dung dịch Sodium Hypochlorite trong vòng 5 đến 10 phút và để dung dịch này ngâm trong chậu từ 6 đến 10 tiếng.
3. Hệ thống ghé cần phải được xả và súc rửa sạch sẽ trở lại trước khi được tiếp tục sử dụng.

**Lexor**[®]

THE KEY TO SALON SUCCESS.

BẢO HÀNH

Cập nhật: 23/5/2022

THỜI HẠN BẢO HÀNH BẮT ĐẦU CÓ HIỆU LỰC:

Thời hạn bảo hành bắt đầu vào ngày khách hàng nhận được sản phẩm.

THỜI HẠN BẢO HÀNH ĐỔI TRẢ CÁC BỘ PHẬN CỦA GHẾ SPA 2 NĂM:

Tất cả các bộ phận cho mẫu ghế Spa chăm sóc móng chân: Prive Lounge, Prestige, Envision Spa, Elite, Liberte, Luminous và Infinity.

THỜI HẠN BẢO HÀNH TRAO ĐỔI PHỤ TÙNG 90 NGÀY TRÊN CÁC LINH KIỆN CÁ NHÂN ĐƯỢC BÁN:

Tất cả các bộ phận đã mua sẽ chỉ được bảo hành trong 90 ngày.

SẢN PHẨM KHÔNG BẢO HÀNH:

Bảo hành này không bao gồm đồ nội thất, ghế kỹ thuật viên, ghế khách hàng và phụ kiện.

PHÍ VẬN CHUYỂN THAY THẾ CÁC BỘ PHẬN:

Phí vận chuyển cho các bộ phận thay thế được bảo hiểm theo bảo hành này. Khách hàng phải trả lại các bộ phận bị lỗi cho Lexor, với chi phí của khách hàng. Phần bị lỗi phải bao gồm số RMA (ỦY QUYỀN TRẢ LẠI HÀNG) do đại diện hỗ trợ khách hàng của Lexor cung cấp. Số RMA sẽ giúp chúng tôi xác định vị trí các bộ phận và hoàn thành dịch vụ kịp thời. Lexor không chịu trách nhiệm đối với các bộ phận bị lỗi, bị thiếu/mất được trả lại mà không có số RMA được cấp.

ĐIỀU KHOẢN VÀ ĐIỀU KIỆN BẢO HÀNH:

Mòn và rách, nứt do ứng suất nhiệt trên thủy tinh và đá cẩm thạch, hư hỏng vật lý, lạm dụng, sử dụng sai, các sự kiện ngẫu nhiên không được bao gồm trong bảo hành này. Các bộ phận thay thế được cung cấp kèm theo hướng dẫn và được thiết kế đặc biệt để lắp đặt đơn giản. Do đó, không yêu cầu một kỹ thuật viên tại chỗ.

THIỆT HẠI KHI VẬN CHUYỂN :

Các thiệt hại do vận chuyển phải được báo cáo trong vòng 24 giờ sau khi nhận được sản phẩm. Khách hàng phải kiểm tra lô hàng để đảm bảo không có thiệt hại trước khi ký vận đơn (BOL - do công ty vận tải đường bộ cung cấp). Nếu có bất kỳ thiệt hại nào đối với lô hàng, vui lòng ghi rõ trên BOL trước khi ký tên và liên hệ ngay với bộ phận hỗ trợ khách hàng của Lexor để báo cáo thiệt hại.

TỪ CHỐI TRÁCH NHIỆM BẢO HÀNH:

Lexor sẽ không có nghĩa vụ sửa chữa, thay thế hoặc hoàn lại tiền cho đến khi quá trình xác minh hoàn tất. Bảo hành này chỉ áp dụng cho ghế Spa pedicure Lexor được sử dụng tại Hoa Kỳ. Bảo hành này không thể chuyển nhượng. Bảo hành này sẽ vô hiệu nếu các sản phẩm được chuyển khỏi vị trí giao hàng ban đầu như được cung cấp trong hóa đơn. Hơn nữa, bảo hành sẽ vô hiệu nếu sản phẩm được bảo trì không đúng cách, sơ suất, vệ sinh không đúng cách hoặc bất kỳ trường hợp nào khác ngoài tầm kiểm soát của Lexor.

Tiếp tục chính sách không ngừng nghiên cứu và phát triển để nâng cao chất lượng sản phẩm của chúng tôi. Lexor, Inc. có quyền thay đổi giá cả, các bộ phận, thiết kế và thông số kỹ thuật mà không cần thông báo trước hoặc có nghĩa vụ theo bảo hành này.

Lexor sản xuất, LLC.**7400 Hazard Ave. Westminster, CA 92683****Hỗ trợ khách hàng (800)559-3030**



Lexor[®]

24/7

BEST CUSTOMER CARE

 800.559.3630 |  support@lexor.com |  Lexor.com



Lexor.com